

JVC

SERVICE MANUAL

COMPACT COMPONENT SYSTEM

MX-J500

Supplement

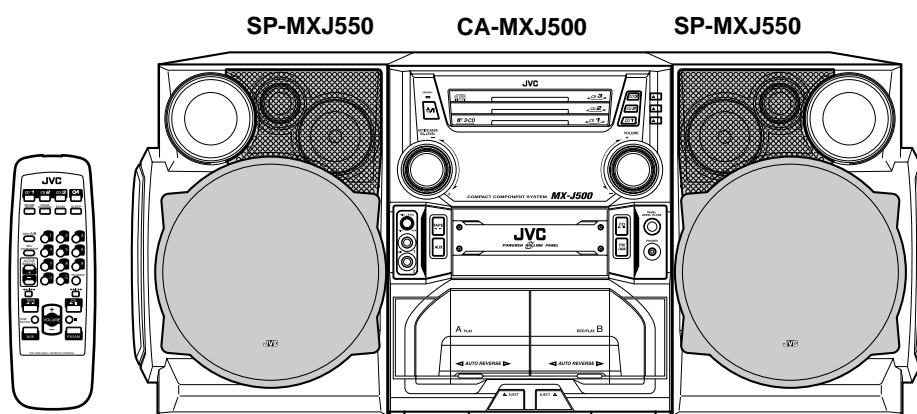
Area Suffix

UT Taiwan

UY Argentina

This model is UT,UY version that is added to the preceding model, the MX-J500. Therefore the service manual for this model is consisting of Parts list only.

For others, please refer to the service manual for MX-J500 (issue No.20833).



COMPACT
disc
DIGITAL AUDIO

-MEMO-

PARTS LIST

[MX-J500]

* All printed circuit boards and its assemblies are not available as service parts.

Area suffix	
UT	Taiwan
UY	Argentina

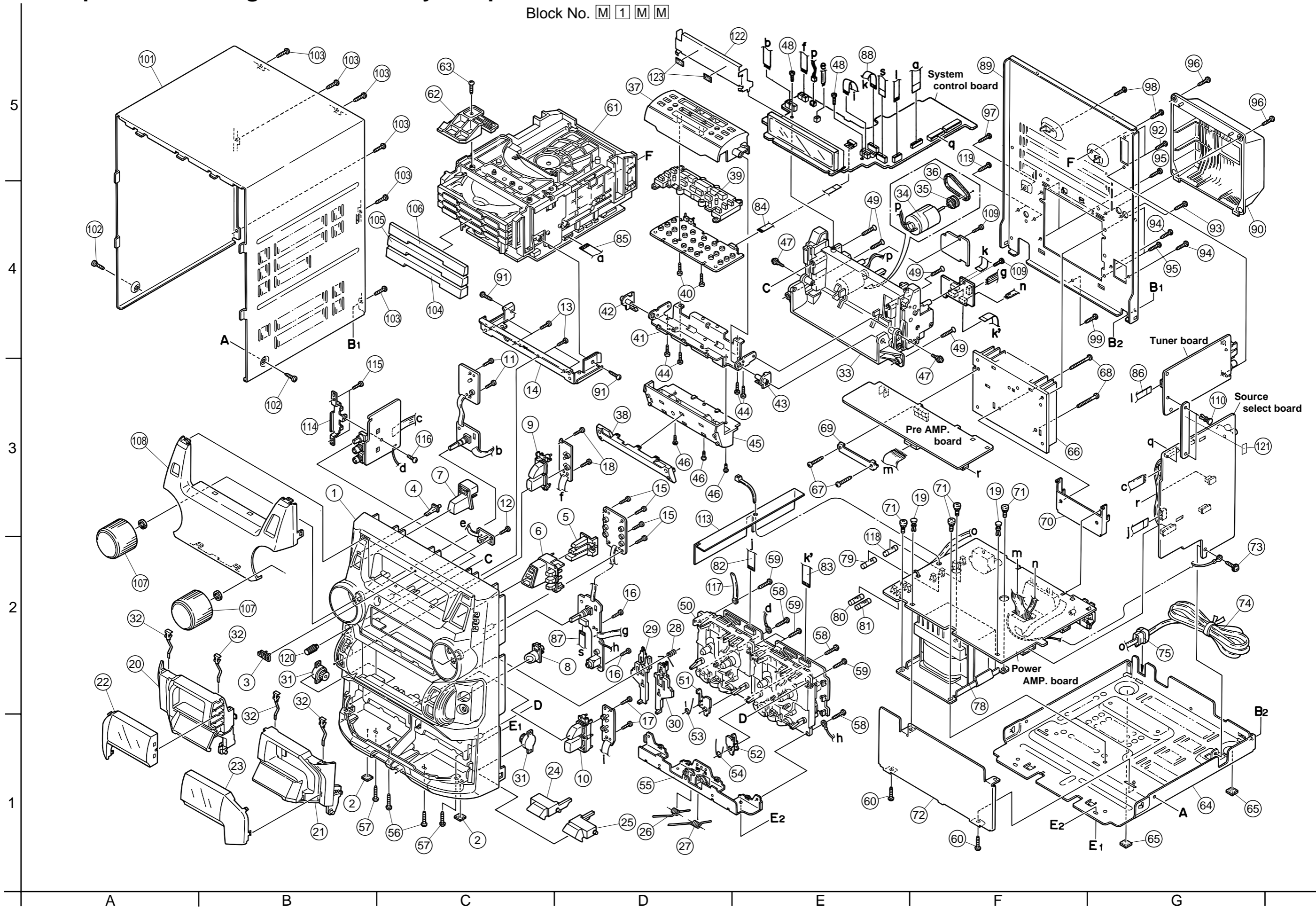
- Contents -

Exploded view of general assembly and parts list	3-3
CD changer mechanism assembly and parts list	3-6
CD mechanism assembly and parts list	3-8
Cassette mechanism assembly and parts list	3-9
Electrical parts list	3-14
Packing materials and accessories parts list	3-26

-MEMO-

Exploded view of general assembly and parts list

Block No. M 1 M M



■ Parts list (General assembly)

Block No. M1MM

△	Item	Parts number	Parts name	Q'ty	Description	Area
	1	GV10027-002A	FRONT PANEL	1		
	2	E75896-001	FELT SPACER	2		
	3	GV40077-001A	JVC BADGE	1		
	4	GV40080-001A	STBY.INDICATOR	1		
	5	GV20056-001A	CD EJECT BUTTON	1		
	6	GV20057-002A	CD BUTTON	1		
	7	GV30087-001A	POWER BUTTON	1	ON/STANDBY MARK	
	8	GV30088-001A	PUSH BUTTON	1		
	9	GV20050-002A	SOURCE BUTTON(B)	1	TAPE/AUX MARK	
	10	GV20049-003A	SOURCE BUTTON(A)	1	CD/TUNER MARK	
	11	QYSDSF2608Z	SCREW	2	POWER BOARD	
	12	QYSDSF2608Z	SCREW	1	REMOTE SENSOR	
	13	QYSDSF2608Z	SCREW	4	STY.BKT+F.PANEL	
	14	GV30082-001A	STAY BRACKET	1		
	15	QYSDSF2608Z	SCREW	4	CD SWITCH BOARD	
	16	QYSDSF2608Z	SCREW	2	VOLUME BOARD	
	17	QYSDSF2608Z	SCREW	2	CD/TUNER S.BOARD	
	18	QYSDSF2608Z	SCREW	2	TAPE/AUX S.BOARD	
	19	FMYH4004-001	PLASTIC RIVET	2	TRANS.SHD/P.BOARD	
	20	GV10029-001A	CASS.HOLDER(L)	1		
	21	GV10030-001A	CASS.HOLDER(R)	1		
	22	GV20053-001A	CASS.LENS (L)	1		
	23	GV20054-001A	CASS.LENS (R)	1		
	24	GV30077-001A	EJECT BUTTON(A)	1		
	25	GV30078-001A	EJECT BUTTON(B)	1		
	26	FMKW4009-002	HOLDER SPRING(A)	1		
	27	FMKW4010-002	HOLDER SPRING(B)	1		
	28	FMKW4011-001	SPRING	1	FOR EJECT LEVER	
	29	FMKS3002-003	EJECT LEVER(A)	1		
	30	FMKS3003-003	EJECT LEVER(B)	1		
	31	GV40034-001A	DAMPER ASSY	2		
	32	VKY4180-401	CASSETTE SPRING	4		
	33	GV10014-006A	CASE ASSY	1		
	34	MXN-13FB12F	DC MOTOR	1		
	35	GV40022-001A	MOTOR PULLEY	1		
	36	GV30038-001A	CAPSTAN BELT	1		
	37	GV30086-001A	MOVING PANEL(A)	1		
	38	GV30089-001A	PANEL PLATE	1		
	39	GV20058-001A	CONTROL BUTTON	1		
	40	QYSDSF2608Z	SCREW	2	S.BRD./CTRL BUTTON	
	41	GV30042-002A	PANEL BRACKET	1		
	42	GV40028-001A	PANEL HOLDER(L)	1		
	43	GV40028-002A	PANEL HOLDER(R)	1		
	44	QYSDSF2608Z	SCREW	4	PNL BKT./MOV PANEL	
	45	GV20059-001A	MOVING PANEL(B)	1		
	46	QYSBST2606Z	T.SCREW	3	M.PNL B/PNL BKT	
	47	VKZ4341-204	SPECIAL SCREW	2	ARM CASE/PNL BKT	
	48	QYSDSF2608Z	SCREW	2	FL BOARD / CASE	

■ Parts list (General assembly)

Block No. M1MM

△	Item	Parts number	Parts name	Q'ty	Description	Area
	49	QYSSSF3012Z	TAP SCREW	4	MOVING PNL./F.PANEL	
	50	-----	CASSETTE MECHA	1		
	51	FMKL4012-004	EJECT SAFETY(A)	1		
	52	FMKL4013-001	EJECT SAFETY(B)	1		
	53	FMKW4007-001	SPRING(A)	1	EJECT SAFETY(A)	
	54	FMKW4008-001	SPRING(B)	1	EJECT SAFETY(B)	
	55	GV20055-001A	HOLDER BRACKET	1		
	56	QYSBSG3010Z	T.SCREW	2	F.P.TO H.BRKT.	
	57	QYSBSG3010Z	T.SCREW	2	F.P.TO CHS.BASE	
	58	QYSBSG3010Z	T.SCREW	3	MECHA & H.BRACKET	
	59	QYSBSF3012Z	SCREW	4	MECHA & F.PANEL	
	60	QYSBSG3010E	T.SCREW	2	TRANS SHD/C.BASE	
	61	-----	CD CHANGER MECHA	1		
	62	E309662-001SM	DISC STOPPER	1		
	63	QYSBSF3008Z	SCREW	1	FOR DISC STOPPER	
	64	GV10025-001A	CHASSIS BASE	1		
	65	E75896-006	FELT SPACER	2	CHAS.BASE FOOT	
	66	GV30083-001A	HEAT SINK	1		
	67	QYSBSG3014Z	T.SCREW	2	FOR LEAF SPRING	
	68	QYSBSG3020E	TAP SCREW	2	FOR IC BRACKET	
	69	GV40029-001A	LEAF SPRING	1		
	70	GV30080-001A	IC BRACKET	1		
	71	QYSDSTL4008Z	SPECIAL SCREW	4		
	72	GV30124-001A	TRANS.SHIELD	1		
	73	QYSBSGG3008E	T.SCREW	1	M.BOARD & C.BASE	
△	74	QMPR110-200-JN	POWER CORD	1		UT
△		QMPR160-200-JC	POWER CORD	1		UY
	75	QZW0033-001	STRAIN RELIEF	1		
△	78	QQT0276-003	POWER TRANSF	1	T001	
△	79	QMF51E2-3R15-J1	FUSE	1	F001	
△	80	QMF51E2-3R15-J1	FUSE	1	F101	
△	81	QMF51E2-3R15-J1	FUSE	1	F102	
	82	QUQ412-1028CJ	FFC WIRE	1	FC315	
	83	QUQ412-1112DJ	FFC WIRE	1	FC869	
	84	QUQ610-0915BJ	FFC WIRE	1	FC879	
	85	QUQ110-1908BJ	FFC WIRE	1	FC868	
	86	QUQ412-0917CJ	FFC WIRE	1	FC865	
	87	QUQ412-1112DJ	FFC WIRE	1	FC880	
	88	QUQ412-1112DJ	FFC WIRE	1	FC906	
	89	GV10026-003A	REAR PANEL	1		UY
		GV10026-004A	REAR PANEL	1		UT
	90	E207356-002SM	REAR COVER	1		
	91	QYSBSF3010Z	SCREW	2	C3/STAY BRACKET	
	92	QYSBSGY3008M	SPECIAL SCREW	2	ANTENA/R.PANEL	
	93	QYSBSGY3008M	SPECIAL SCREW	1	AUX TEM/R.PANEL	
	94	QYSBSGY3008M	SPECIAL SCREW	2	SPK TEM/R.PANEL	
	95	QYSBSGY3008M	SPECIAL SCREW	4	H.SINK/R.PANEL	
	96	QYSBSGY3008M	SPECIAL SCREW	2	R.COVER/R.PANEL	

Parts list (General assembly)

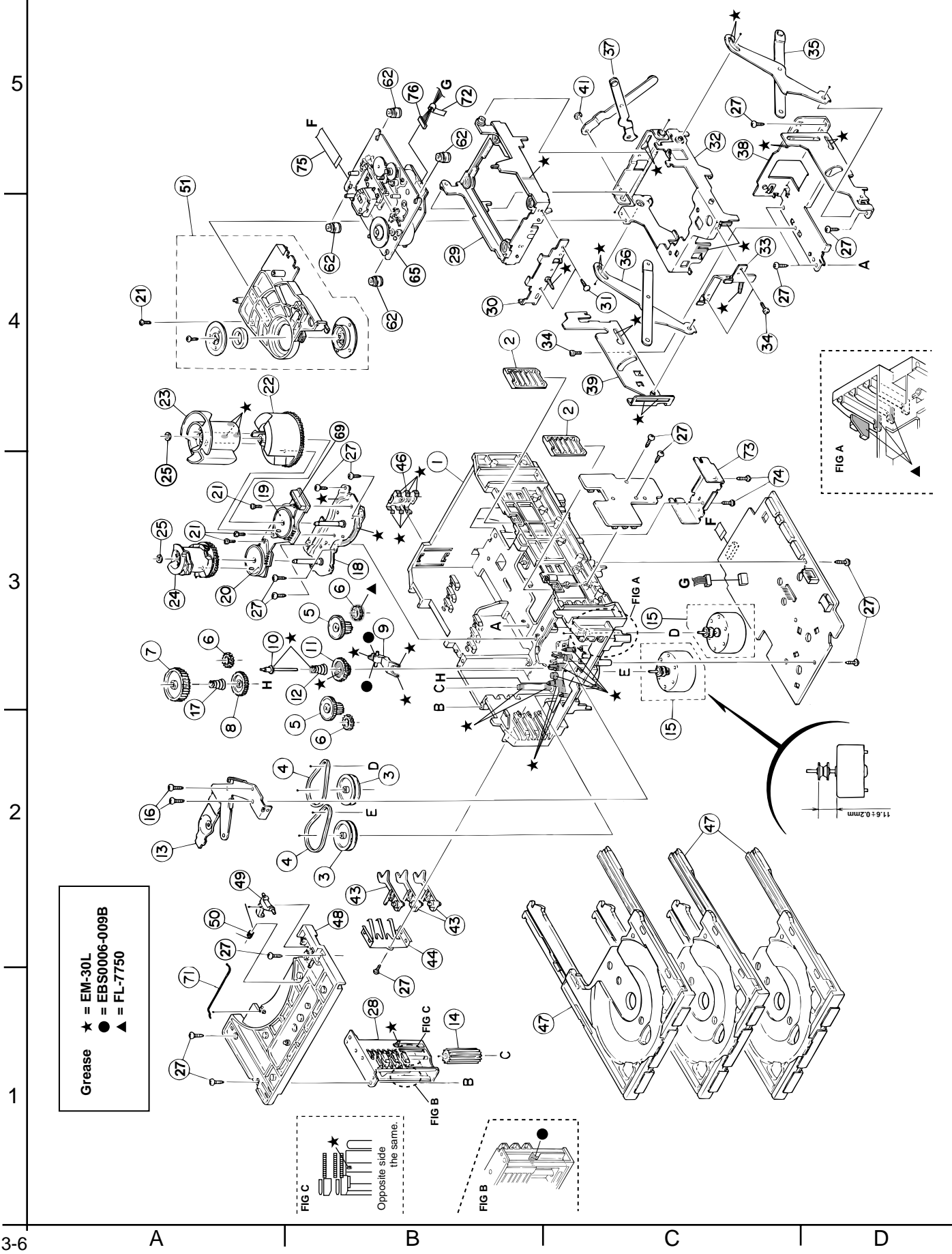
Block No. M1MM

△	Item	Parts number	Parts name	Q'ty	Description	Area
	97	QYSBSGY3008M	SPECIAL SCREW	1	GROUND /R.PANEL	
	98	QYSBSGY3008M	SPECIAL SCREW	2	C3/REAR PANEL	
	99	QYSBSGY3008M	SPECIAL SCREW	1	R.PANEL/C.BASE	
	101	GV10024-001A/S/	METAL COVER	1		
	102	QYSDSG3006M	T.SCREW	2	M.COVER+C.BASE	
	103	QYSBSGY3008M	SPECIAL SCREW	6	M.COVER+R.PANEL	
	104	GV30074-001A	CD FITTING	1	DISC 1	
	105	GV30075-001A	CD FITTING	1	DISC 2	
	106	GV30076-001A	CD FITTING	1	DISC 3	
	107	GV30084-001A	KNOB	2	SA BASS & VOL.	
	108	GV10028-001A	WINDOW SCREEN	1		
	109	QYSDSF2608Z	SCREW	2	WIRE &MOTOR STOPPER	
	110	FMYH4004-001	PLASTIC RIVET	2		
	113	GV30104-001A	PROTECT SHHET	1		
	114	GV40082-001A	MIC BRACKET	1		
	115	QYSDSF2608Z	SCREW	2	MIC BKT.+F.PANEL	
	116	QYSBST3006Z	T.SCREW	1	MIC BOARD/MIC.BKT	
	117	VKZ4001-110S	WIRE HOLDER	1		
△	118	QMF51E2-1R6-J1	FUSE	1	F003	
	119	QYSBSF3012M	SCREW	2	VOL.SEL/R.PANEL	
	120	GV40083-001A	MIC VOL.KNOB	1		
	121	GV40123-003A	SPACER	1		
	122	GV30032-001A	FL HOLDER	1		
	123	E3400-439	FELT SPACER	2		

CD changer mechanism assembly and parts list

VC3-22M

Block No. M 2 M M



Grease ★ = EM-30L
 ● = EBS0006-009B
 ▲ = FL-7750

FIG C
 Opposite side the same.

FIG B

FIG A

11.6±0.2mm

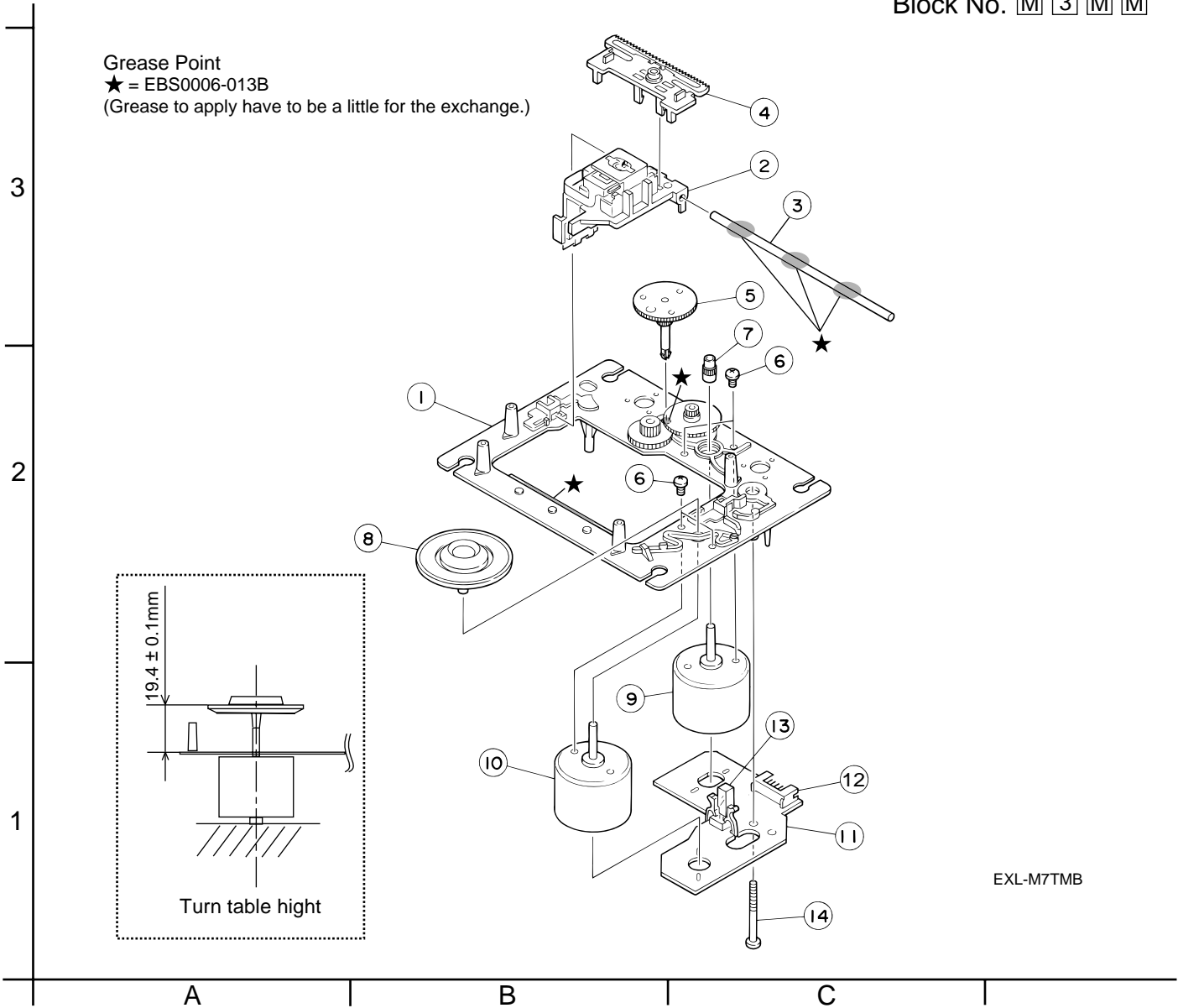
Parts list (CD changer mechanism)

Block No. M2MM

△	Item	Parts number	Parts name	Q'ty	Description	Area
	1	VKS1144-003	CHASSIS	1		
	2	VKS3698-003	TRAY GUIDE	2		
	3	VKS5532-003	PULLEY GEAR	2		
	4	VKB3000-164	BELT	2		
	5	VKS5505-003	GEAR B	2		
	6	VKS5506-002	GEAR C	3		
	7	VKS5507-002	CROSS GEAR U	1		
	8	VKS5508-002	CROSS GEAR L	1		
	9	VKS5510-003	SELECT LEVER	1		
	10	VKH5769-001	S.G.SHAFT	1		
	11	VKS5511-002	SELECT GEAR	1		
	12	VKW5155-003	COMP.SPRING	1	FOR SELECT GEAR	
	13	VKM3846-002	GEAR BRACKET	1		
	14	VKS5509-002MM	CYLINDER GEAR	1		
	15	MSN5D257A-SA2	D.C.MOTOR ASS'Y	2		
	16	QYSPSPD2616Z	SCREW	2	FOR MOTOR	
	17	LV40612-001A	COMP.SPRING	1		
	18	VKM3825-00AMM	C.G.BASE ASS'Y	1		
	19	VKZ3172-00ASS	CAM SW. R ASS'Y	1		
	20	VKZ3173-00ASS	CAM SW. L ASS'Y	1		
	21	QYSPST2606Z	SCREW	4		
	22	VKS2263-002MM	CAM R1	1		
	23	VKS2264-002MM	CAM R2	1		
	24	VKS2265-002MM	CAM GEAR L	1		
	25	WDL316050MM	SLIT WASHER	2		
	27	QYSBSF2608Z	T.SCREW	16		
	28	VKS3702-00FMM	DRIVE UNIT	1		
	29	VKS2247-004	MECHA HOLDER A	1		
	30	VKL7767-00B	BRACKET ASS'Y	1		
	31	QYSBSF2606Z	SCREW	2	FOR BRACKET	
	32	VKM3860-00A	M.HOLDER B AS'Y	1		
	33	VKL7802-00C	M.HOLDER C AS'Y	1		
	34	QYSDST2604Z	SCREW	3		
	35	VKL7810-00A	LIFTER ASS'Y R	1		
	36	VKL7811-00A	LIFTER ASS'Y L	1		
	37	VKL7812-00A	LIFTER ASS'Y H	1		
	38	VKL2732-002	LIFTER BASE	1		
	39	VKM3857-001	LIFTER BRACKET	1		
	41	WDL266035-2	SLIT WASHER	1		
	43	VKS5514-002MM	LOCK LEVER	3		
	44	VKY3133-002MM	RETURN SPRING	1		
	46	VKY3134-003MM	CLICK SPRING	1		
	47	VKS2252-00E	TRAY ASS'Y	3		
	48	VKS2250-003	TOP BRACKET	1		
	49	VKS5515-002	S.TRAY STOPPER	1		
	50	VKW5156-004	TORSION SPRING	1		
	51	VKS3703-00G	CLAMPER ASS'Y	1		
	62	LV40761-003A	INSULATOR	4		
	65	-----	CD MECHA	1		
	69	QGB2012J1-10	CONNECTOR	1		
	71	VKW5187-001	ROD	1		
	72	VYSA1R2-033	SPACER	1	FOR EWS176-008	
	73	LE30611-001A	C.B HOLDER	1	FOR CD CB	
	74	QYSBSF3008Z	SCREW	2	FOR HOLDER	
	75	QUQ610-1509AJ	CARD WIRE	1	TRAVERSE 15	
	76	EWS176-008	FLAT WIRE	1	TRAVERSE 6	

CD mechanism assembly and parts list

Block No. M 3 M M



EXL-M7TMB

Parts list (CD mechanism)

Block No. M3MM

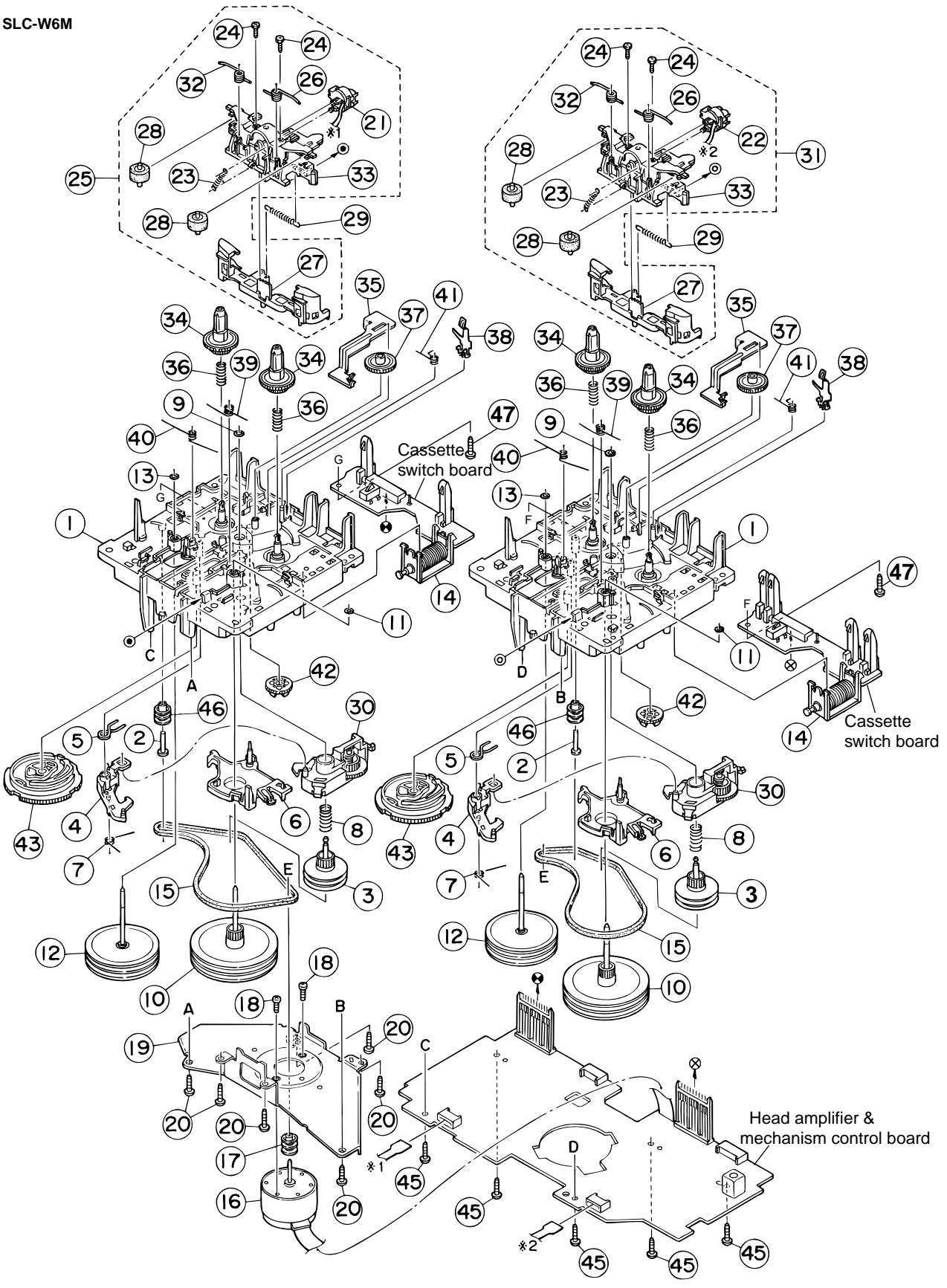
Item	Parts number	Parts name	Q'ty	Description	Area
1	E102731-221SM	CD MECHA BASE	1		
2	OPTIMA-7B	CD PICK	1		
3	E406777-002SM	CD SHAFT	1		
4	LV31002-001A	CD RACK	1		
5	E307745-441SM	CD GEAR(3)	1		
6	QYSDSP2003N	SCREW	4		
7	E406750-442SM	PINION	1		
8	EPB309173PKA	TURN TABLE	1		
9	E406784-001	FEED MOTOR	1		
10	QAR0130-001	SP MOTOR	1		
11	EMW10190-441	CIR BOARD	1		
12	QGA2001F1-06	6P PLUG ASSY	1		
13	QSW0506-001	LEAF SW	1		
14	E75832-221SS	SPECIAL SCREW	1		

Cassette mechanism assembly and parts list

Block No. M 4 M M

SLC-W6M

5
4
3
2
1



Parts list (Cassette mechanism)

Block No. M4MM

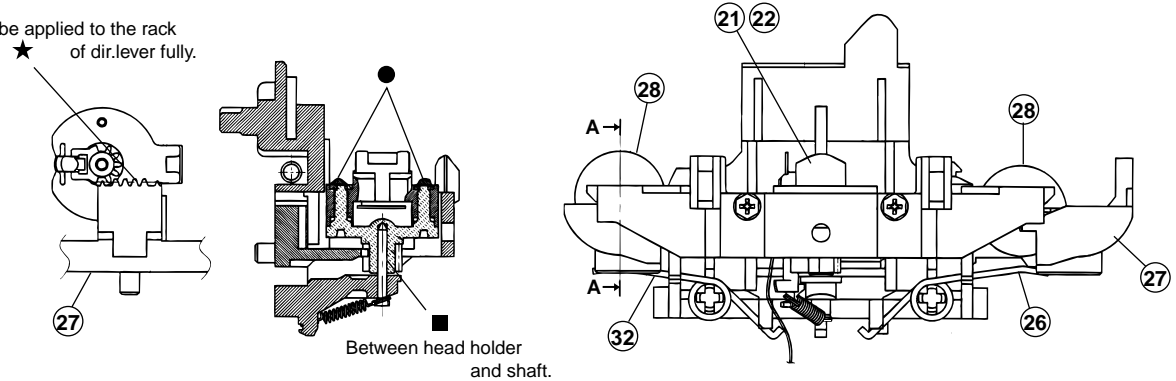
△	Item	Parts number	Parts name	Q'ty	Description	Area
	1	VKS1165-00H	CHASSIS B.ASS'Y	2		
	2	VKH5786-002	SHAFT	2		
	3	VKS5603-00D	MAIN PULLEY ASY	2		
	4	VKS3785-001MM	FR ARM	2		
	5	VKW5284-002	SWING SPRING	2		
	6	VKS2278-003	TRIGGER ARM	2		
	7	VKW5301-001	FR SPRING	2		
	8	VKW5266-001	ELEVATOR SPRING	2		
	9	WDL214025	WASHER	2		
	10	VKF3205-00B	F.WHEEL ASSY(R)	2		
	11	WDL183425	SLIT WASHER	2		
	12	VKF3207-00B	F.WHEEL ASSY(L)	2		
	13	WDL173525-6	SLIT WASHER	2		
	14	VKZ3174-00A	DC SOLENOID	2		
	15	VKB3000-182	CAPSTAN BELT(B)	2		
	16	MSI-5U2LWA	D.C.MOTOR ASS'Y	1		
	17	VKR4761-001	MOTOR PULLEY	1		
	18	QYSPSP2604Z	SCREW	2		
	19	VKM3907-001	JOINT BRACKET	1		
	20	QYSBSF2608Z	T.SCREW	6		
	21	LV41090-001A	P.B.HEAD	1		
	22	LV41089-001A	R/P&E HEAD	1		
	23	VKW5302-001	HEAD SPRING	2		
	24	VKZ4730-001	SPECIAL SCREW	4		
	25	VKS2279-00D	HEAD MOUNT ASSY	1		
	26	VKW5299-002	PIN ROL.SP.(R)	2		
	27	VKS2277-005	DIRECTION LEVER	2		
	28	VKP4233-00A	PINCH ROL. ASSY	4		
	29	VKW5285-001	RETURN SPRING	2		
	30	VKS3786-00G	CLUTCH ASS'Y	2		
	31	VKS2275-00D	HEAD MOUNT ASSY	1		
	32	VKW5300-002	PIN ROL.SP.(L)	2		
	33	VKS1167-001	HEAD MOUNT BASE	2		
	34	VKS2274-002	REEL GEAR	4		
	35	VKM3906-003	PLAY SW LEVER	2		
	36	VKW5286-002	B.T. SPRING	4		
	37	VKS5559-001	PLAY IDLE GEAR	2		
	38	VKY3149-002	CASSETTE SP.	2		
	39	VKW5279-001	HEAD BASE SP(R)	2		
	40	VKW5280-001	HEAD BASE SP(L)	2		
	41	VKW5296-001	EARTH SPRING	2		
	42	VKS5597-00A	BLIND	2		
	43	VKS1166-003	CONTROL CAM	2		
	45	QYSBSF2608Z	T.SCREW	5	FOR P.W.B.	
	46	VKR4749-002	IDLE PULLEY	2		
	47	QYSBSF2006Z	SCREW	2		

Grease point

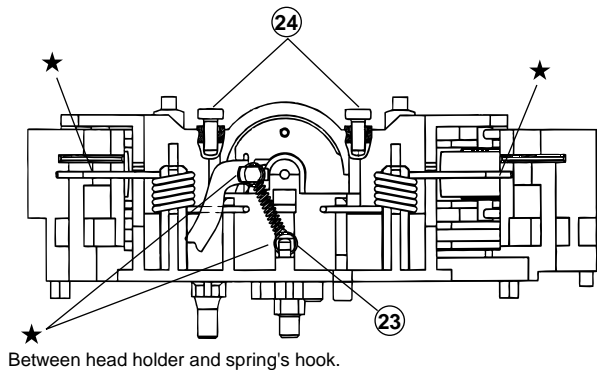
- | Grease | |
|--------|-----------|
| ★ | =JC-525 |
| ■ | =FL-7750 |
| ▲ | =UD-24 |
| △ | =UD-24H2 |
| ● | =LX-1349B |
| ◎ | =MOBIL-1 |

5
4
3
2
1

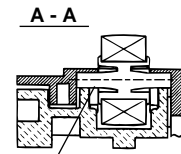
Should be applied to the rack of dir.lever fully.



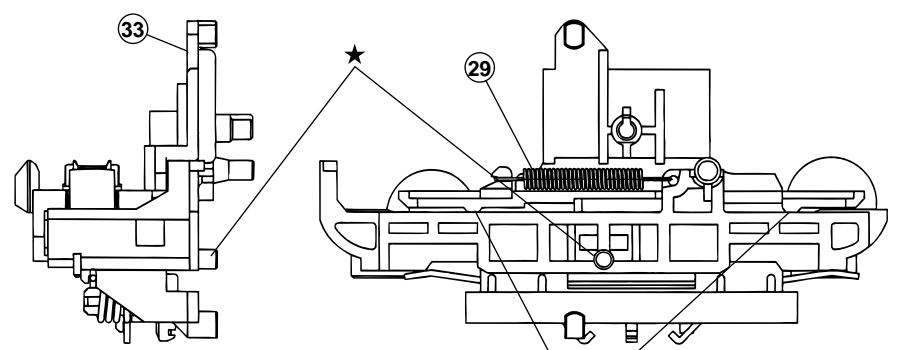
Between head holder and shaft.



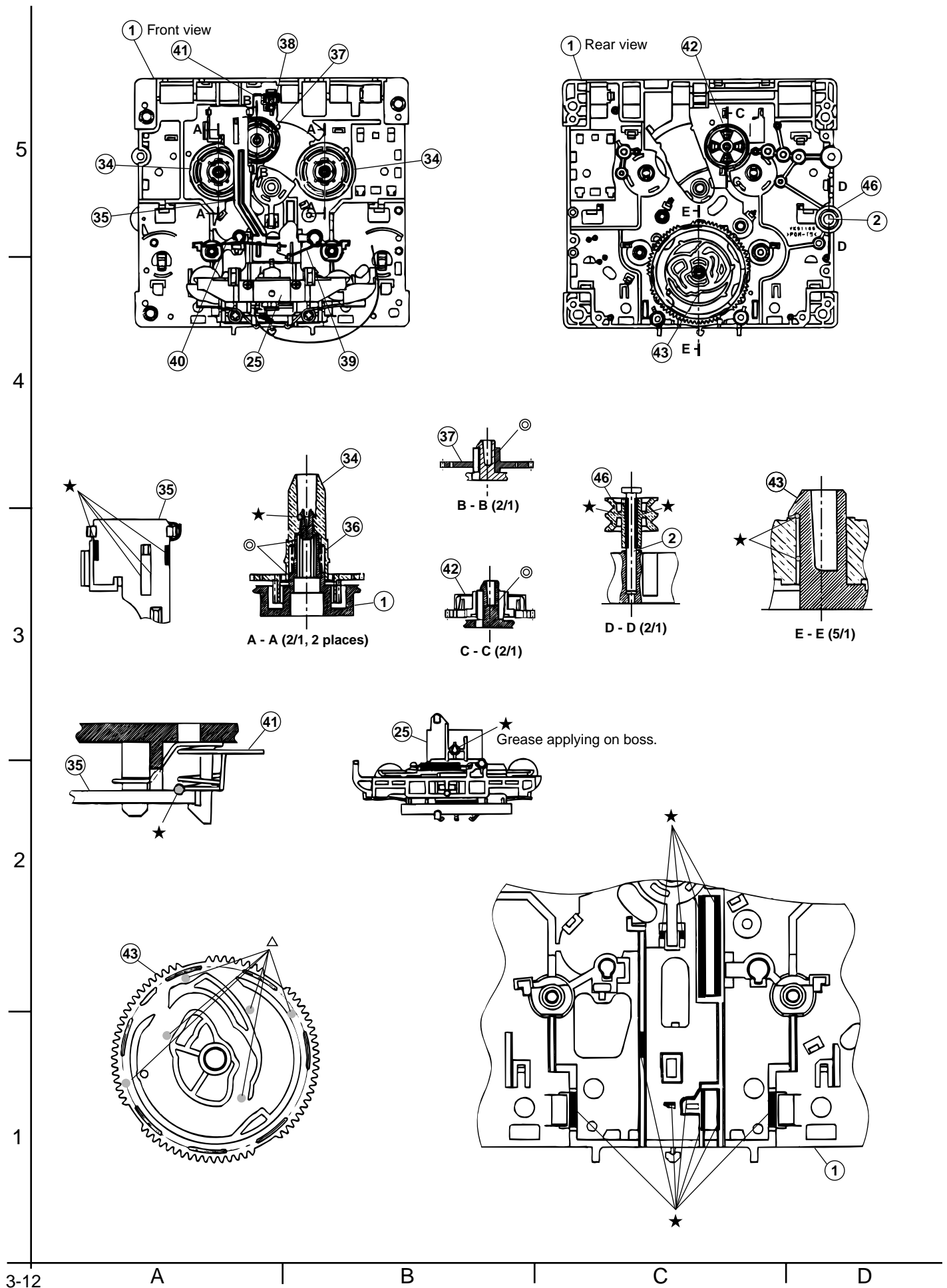
Between head holder and spring's hook.



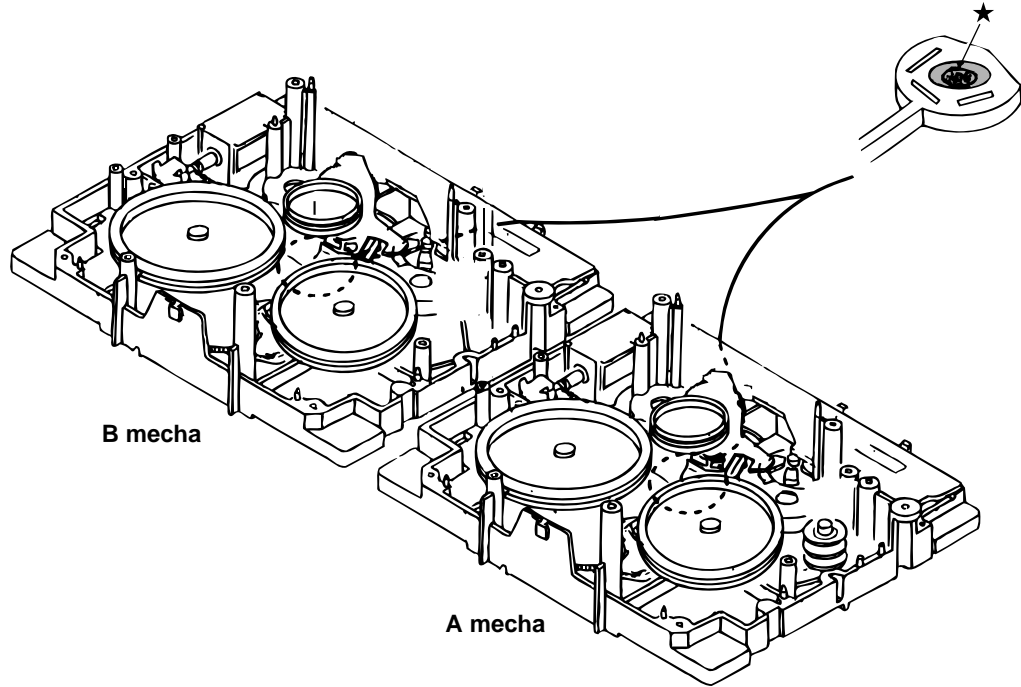
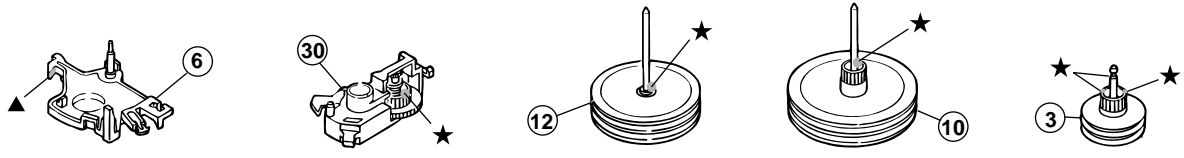
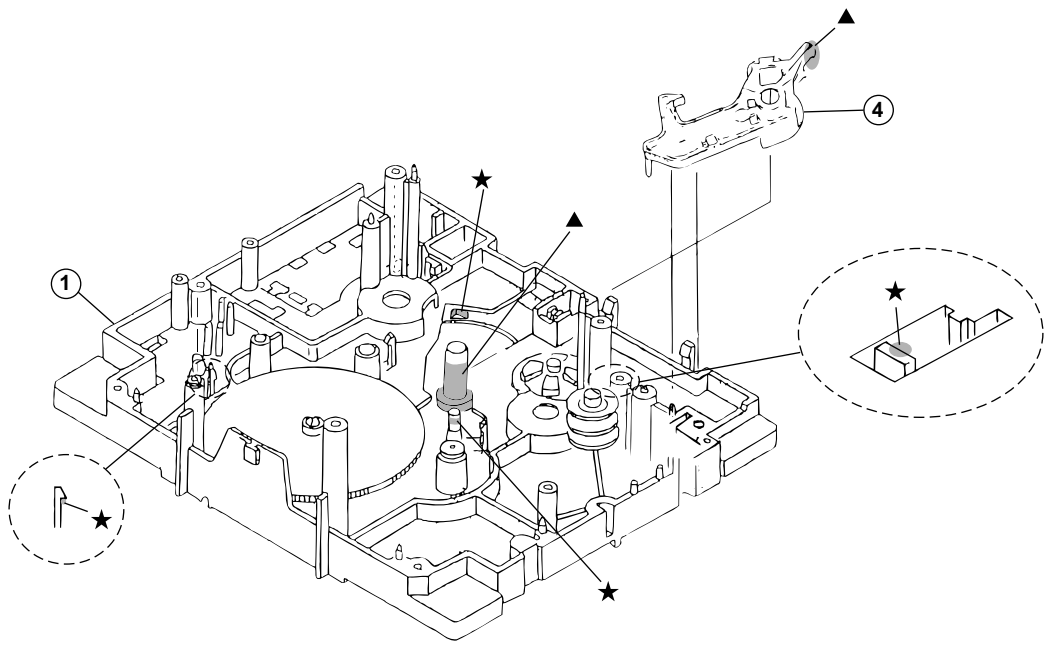
Apply oil to the shaft of pinch roller on both sides before assembly.



★ Between direction lever and head mount base.



5
4
3
2
1



Electrical parts list

■ Electrical parts list (Power AMP.&Source select board) Block No. 01

△	Item	Parts number	Parts name	Remarks	Area	△	Item	Parts number	Parts name	Remarks	Area
	C 201	QFV72AJ-104Z	MF CAPACITOR	.10MF 5% 100V			C 474	QETN1EM-106Z	E CAPACITOR	10MF 20% 25V	
	C 202	QFV72AJ-104Z	MF CAPACITOR	.10MF 5% 100V			C 475	EETC1HM-105ZJC	E CAPACITOR		
	C 203	QFV72AJ-104Z	MF CAPACITOR	.10MF 5% 100V			C 476	QFLM1HJ-682Z	M CAPACITOR	6800PF 5% 50V	
	C 204	QEZO469-478	E CAPACITOR	4700MF			C 488	EETC1HM-475ZJC	E CAPACITOR		
	C 205	QEZO469-478	E CAPACITOR	4700MF			C 526	EETC1AM-107ZJC	E CAPACITOR		
	C 211	QFLK1HJ-104Z	TF CAPACITOR	.10MF 5% 50V			C 527	QFLM1HJ-104Z	M CAPACITOR	.10MF 5% 50V	
	C 212	QFLK1HJ-104Z	TF CAPACITOR	.10MF 5% 50V			C 528	QFLM1HJ-104Z	M CAPACITOR	.10MF 5% 50V	
	C 213	QFLK1HJ-104Z	TF CAPACITOR	.10MF 5% 50V			C 529	QFLM1HJ-104Z	M CAPACITOR	.10MF 5% 50V	
	C 214	EETB1VM-228JC	E CAPACITOR				C 530	QFLM1HJ-104Z	M CAPACITOR	.10MF 5% 50V	
	C 215	EETB1VM-228JC	E CAPACITOR				C 531	QTE1C06-476Z	E CAPACITOR		
	C 216	QETN1VM-107Z	E CAPACITOR	100MF 20% 35V			C 532	QTE1C06-476Z	E CAPACITOR		
	C 217	QETN1JM-476Z	E CAPACITOR	47MF 20% 63V			C 533	QTE1V06-106Z	E CAPACITOR		
	C 218	EETC1HM-226ZJC	E CAPACITOR				C 534	QTE1V06-106Z	E CAPACITOR		
	C 219	QDYB1CM-103Y	C CAPACITOR				C 535	EETC1AM-107ZJC	E CAPACITOR		
	C 220	EETC1HM-226ZJC	E CAPACITOR				C 579	QETN1HM-474Z	E CAPACITOR	.47MF 20% 50V	
	C 221	EETC1HM-475ZJC	E CAPACITOR				C 580	QFVJ1HJ-184Z	MF CAPACITOR	.18MF 5% 50V	
	C 222	EETC1HM-475ZJC	E CAPACITOR				C 581	EETC1HM-105ZJC	ETRANSISTOR		
	C 223	EETC1HM-226ZJC	E CAPACITOR				C 703	QCBB1HK-471Y	C CAPACITOR	470PF 10% 50V	
	C 233	QFLM1HJ-103Z	M CAPACITOR	.010MF 5% 50V	UT		C 704	QCBB1HK-471Y	C CAPACITOR	470PF 10% 50V	
	C 233	QFVJ1HJ-224Z	MF CAPACITOR	.22MF 5% 50V	UY		C 705	QCSB1HJ-220Y	C CAPACITOR	22PF 5% 50V	
	C 401	QCBB1HK-221Y	C CAPACITOR	220PF 10% 50V	UT		C 706	QCSB1HJ-220Y	C CAPACITOR	22PF 5% 50V	
	C 402	QCBB1HK-221Y	C CAPACITOR	220PF 10% 50V	UT		C 707	QETN1CM-476Z	E CAPACITOR	47MF 20% 16V	
	C 403	QETN1AM-477Z	E CAPACITOR	470MF 20% 10V			C 708	QETN1CM-476Z	E CAPACITOR	47MF 20% 16V	
	C 404	QETN1CM-476Z	E CAPACITOR	47MF 20% 16V			C 709	QCSB1HK-4R7Y	C CAPACITOR	4.7PF 10% 50V	UT
	C 411	QCBB1HK-221Y	C CAPACITOR	220PF 10% 50V			C 709	QCSB1HJ-100Y	C CAPACITOR	10PF 5% 50V	UY
	C 412	QCBB1HK-221Y	C CAPACITOR	220PF 10% 50V			C 710	QCSB1HJ-100Y	C CAPACITOR	10PF 5% 50V	UY
	C 415	QDXB1CM-222Y	C CAPACITOR				C 710	QCSB1HK-4R7Y	C CAPACITOR	10PF 5% 50V	UY
	C 432	QFLM1HJ-102Z	M CAPACITOR	1000PF 5% 50V	UT		C 711	QETN1JM-476Z	E CAPACITOR	47MF 20% 63V	UT
	C 433	QFLM1HJ-103Z	M CAPACITOR	.010MF 5% 50V	UT		C 712	QETN1JM-476Z	E CAPACITOR	47MF 20% 63V	
	C 434	QETN0JM-108Z	E CAPACITOR	1000MF 20% 6.3V			C 713	QFLM1HJ-473Z	M CAPACITOR	.047MF 5% 50V	
	C 436	EETC1AM-107ZJC	E CAPACITOR				C 714	QFLM1HJ-473Z	M CAPACITOR	.047MF 5% 50V	
	C 437	EETC1EM-106ZJC	E CAPACITOR				C 715	QFLM1HJ-473Z	M CAPACITOR	.047MF 5% 50V	
	C 438	QDYB1CM-103Y	C CAPACITOR				C 716	QFLM1HJ-473Z	M CAPACITOR	.047MF 5% 50V	
	C 439	QETN1EM-106Z	E CAPACITOR	10MF 20% 25V			C 721	QTE1V06-106Z	E CAPACITOR		
	C 440	QETN1EM-106Z	E CAPACITOR	10MF 20% 25V			C 722	QTE1V06-106Z	E CAPACITOR		
	C 441	QTE1V06-106Z	E CAPACITOR				C 723	EETC1HM-226ZJC	E CAPACITOR		
	C 442	QTE1V06-106Z	E CAPACITOR				C 726	EETC1EM-106ZJC	E CAPACITOR		
	C 443	QETN1HM-225Z	E CAPACITOR	2.2MF 20% 50V			C 729	EETC1CM-476ZJC	E CAPACITOR		
	C 444	QETN1HM-225Z	E CAPACITOR	2.2MF 20% 50V			C 730	QCF31HZ-223Z	C CAPACITOR	.022MF +80:-20%	
	C 445	QETN1EM-106Z	E CAPACITOR	10MF 20% 25V			C 731	QCF31HZ-223Z	C CAPACITOR	.022MF +80:-20%	
	C 446	QETN1EM-106Z	E CAPACITOR	10MF 20% 25V			C 732	QDXB1CM-222Y	C CAPACITOR		
	C 447	QTE1V06-106Z	E CAPACITOR				C 733	QFLM1HJ-104Z	M CAPACITOR	.10MF 5% 50V	
	C 448	QTE1V06-106Z	E CAPACITOR				C 734	QDXB1CM-222Y	C CAPACITOR		
	C 449	QETN1HM-225Z	E CAPACITOR	2.2MF 20% 50V			C 735	QFLM1HJ-104Z	M CAPACITOR	.10MF 5% 50V	
	C 450	QETN1HM-225Z	E CAPACITOR	2.2MF 20% 50V			C 736	QFLM1HJ-393Z	M CAPACITOR	.039MF 5% 50V	
	C 453	QFVJ1HJ-154Z	MF CAPACITOR	.15MF 5% 50V			C 737	QFLM1HJ-393Z	M CAPACITOR	.039MF 5% 50V	
	C 454	QFVJ1HJ-154Z	MF CAPACITOR	.15MF 5% 50V			C 739	QFLM1HJ-473Z	M CAPACITOR	.047MF 5% 50V	
	C 455	QFVJ1HJ-274Z	MF CAPACITOR	.27MF 5% 50V			C 742	EETC1HM-224ZJC	E CAPACITOR		
	C 456	QFVJ1HJ-274Z	MF CAPACITOR	.27MF 5% 50V			C 743	QFLM1HJ-823Z	M CAPACITOR	.082MF 5% 50V	
	C 457	QFLM1HJ-223Z	M CAPACITOR	.022MF 5% 50V			CNSV1	QGB1214K1-20S	CONNECTOR		
	C 458	QFLM1HJ-223Z	M CAPACITOR	.022MF 5% 50V			CNSV2	QGB1214K1-20S	CONNECTOR		
	C 459	QFLM1HJ-183Z	M CAPACITOR	.018MF 5% 50V			CNSV3	QGB1214J1-20S	CONNECTOR		
	C 460	QFLM1HJ-183Z	M CAPACITOR	.018MF 5% 50V			CNSV4	QGB1214J1-20S	CONNECTOR		
	C 461	QFLM1HJ-562Z	M CAPACITOR	5600PF 5% 50V			CNSV5	QGF1205C1-40	CONNECTOR		
	C 462	QFLM1HJ-562Z	M CAPACITOR	5600PF 5% 50V			CN315	QGF1205F1-10	CONNECTOR		
	C 466	QETN1HM-475Z	E CAPACITOR	4.7MF 20% 50V			CN612	QGB2510J1-04	CONNECTOR		
	C 467	QETN1HM-225Z	E CAPACITOR	2.2MF 20% 50V			CN701	QGB2510K2-07	CONNECTOR		
	C 468	EETC1EM-226ZJC	E CAPACITOR				CN702	QGB2510K2-10	CONNECTOR		
	C 469	QFLM1HJ-683Z	M CAPACITOR	.068MF 5% 50V			CN711	QGB2510J1-07	CONNECTOR		
	C 470	QFVJ1HJ-274Z	MF CAPACITOR	.27MF 5% 50V			CN712	QGB2510J1-10	CONNECTOR		
	C 471	QETN1EM-106Z	E CAPACITOR	10MF 20% 25V			CN870	QGB1214J1-20S	CONNECTOR		
	C 472	QETN1EM-106Z	E CAPACITOR	10MF 20% 25V			CN871	QGB1214J1-20S	CONNECTOR		
	C 473	QETN1EM-106Z	E CAPACITOR	10MF 20% 25V			CN912	QGD2503F1-05	SOCKET		

■ Electrical parts list (Power AMP.&Source select board) Block No. 01

△	Item	Parts number	Parts name	Remarks	Area	△	Item	Parts number	Parts name	Remarks	Area
	CP431	ICP-N15-T	ICP				FT132	QNG0020-001Z	FUSE CLIP		
	CP432	ICP-N15-T	ICP				FT511	QNG0020-001Z	FUSE CLIP		
	C1021	QDYB1CM-103Y	C.CAPACITOR				FT512	QNG0020-001Z	FUSE CLIP		
	C1022	QDGB1HK-102Y	C CAPACITOR				FT521	QNG0020-001Z	FUSE CLIP		
	C1023	QDGB1HK-102Y	C CAPACITOR				FT522	QNG0020-001Z	FUSE CLIP		
	C1034	QFLM1HJ-104Z	M CAPACITOR	.10MF 5% 50V			FW431	QUM156-14Z4Z4	FLAT WIRE		
	C1035	EETC1AM-107ZJC	E CAPACITOR				FW703	QUM156-14DGZ4	FLAT WIRE		
	C1036	QCBB1HK-101Y	C CAPACITOR	100PF 10% 50V			FW704	QUM154-15DGZ4	FLAT WIRE		
	C1037	QDYB1CM-103Y	C CAPACITOR				FW705	QUM156-11Z4Z4	FLAT WIRE		
	C1038	QDXB1CM-472Y	C CAPACITOR				FW902	QUM155-32DGZ4	FLAT WIRE	CONSTRUCTION ST	
	C1039	QDYB1CM-103Y	C CAPACITOR				IC436	TDA7439	IC		
	C1040	QDXB1CM-332Y	C CAPACITOR				IC466	BA3837	IC(VOCALFADER)		
	C1041	QDYB1CM-103Y	C CAPACITOR				IC526	BA15218	IC		
	C1042	EETC1EM-226ZJC	E CAPACITOR			△	IC701	STK412-000	IC(HYBRID)		
	C1043	QFVJ1HJ-474Z	MF CAPACITOR	.47MF 5% 50V			IC901	NJM4580L	IC		
	C1044	QDYB1CM-103Y	C CAPACITOR				IC902	BU9253AS	IC		
	C1045	QETN1HM-225Z	E CAPACITOR	2.2MF 20% 50V			J 81	QNB0098-001	SPK TERMINAL		
	C1061	EETC1AM-227ZJC	E CAPACITOR				J 411	QNN0117-001	PIN JACK		
	C1062	EETC1AM-107ZJC	E CAPACITOR				J1021	QNS0080-001	6.3 JACK		
	C1063	EETC1HM-475ZJC	E CAPACITOR				J1022	QNS0080-001	6.3 JACK		
	C1064	QCBB1HK-151Y	C CAPACITOR	150PF 10% 50V			L 201	QQR0779-001Z	INDUCTOR		UT
	C1065	QCBB1HK-151Y	C CAPACITOR	150PF 10% 50V			L 401	QQR0779-001Z	INDUCTOR		UT
	C1066	QCBB1HK-331Y	C CAPACITOR	330PF 10% 50V			L 701	QQLZ005-R45	INDUCTOR		
	C1067	QETN1HM-225Z	E CAPACITOR	2.2MF 20% 50V			L 702	QQLZ005-R45	INDUCTOR		
	C1068	QETN1HM-224Z	E CAPACITOR	.22MF 20% 50V			Q 201	KTA1023/OY/-T	TRANSISTOR		
	C1069	QETN1HM-475Z	E CAPACITOR	4.7MF 20% 50V			Q 203	KRC107M-T	D.TRANSISTOR		
△	D 201	1N5402M-20	DIODE				Q 204	KTC3199/GL/-T	TRANSISTOR		
△	D 202	1N5402M-20	DIODE				Q 240	KTC3199/GL/-T	TRANSISTOR		
△	D 203	1N5402M-20	DIODE				Q 401	2SC3576-JVC-T	TRANSISTOR		
△	D 204	1N5402M-20	DIODE				Q 402	2SC3576-JVC-T	TRANSISTOR		
△	D 211	30DF2-FC	DIODE				Q 481	2SC3576-JVC-T	TRANSISTOR		
△	D 212	30DF2-FC	DIODE				Q 483	KRA102M-T	D.TRANSISTOR		
△	D 213	30DF2-FC	DIODE				Q 559	2SC3576-JVC-T	TRANSISTOR		
△	D 214	30DF2-FC	DIODE				Q 561	2SC3576-JVC-T	TRANSISTOR		
△	D 217	1N4003S-T5	SI DIODE				Q 562	2SC3576-JVC-T	TRANSISTOR		
△	D 218	1N4003S-T5	SI DIODE				Q 571	2SC2785/FE/-T	TRANSISTOR		
	D 219	MTZJ33C-T2	Z DIODE				Q 572	2SC2785/FE/-T	TRANSISTOR		
	D 220	MTZJ9.1B-T2	ZENER DIODE				Q 573	2SC2785/FE/-T	TRANSISTOR		
	D 221	MTZJ5.1B-T2	ZENER DIODE				Q 574	2SC2785/FE/-T	TRANSISTOR		
	D 223	1SS133-T2	SI DIODE				Q 575	2SC2785/FE/-T	TRANSISTOR		
△	D 227	1N4003S-T5	SI DIODE				Q 576	2SC2785/FE/-T	TRANSISTOR		
	D 411	1SS133-T2	SI DIODE				Q 577	KRC111M-T	TRANSISTOR		
	D 412	1SS133-T2	SI DIODE				Q 578	KRC111M-T	TRANSISTOR		
	D 431	1SS133-T2	SI DIODE				Q 579	KRC111M-T	TRANSISTOR		
	D 432	1SS133-T2	SI DIODE				Q 580	KRC111M-T	TRANSISTOR		
	D 433	1SS133-T2	SI DIODE				Q 581	KRC111M-T	TRANSISTOR		
	D 434	MTZJ5.1B-T2	ZENER DIODE				Q 582	KRC111M-T	TRANSISTOR		
	D 573	1SS133-T2	SI DIODE				Q 701	KTA1268/GL/-T	TRANSISTOR		
	D 703	MTZJ15C-T2	Z DIODE				Q 702	KTA1268/GL/-T	TRANSISTOR		
	D 704	MTZJ15C-T2	Z DIODE				Q 710	2SA1038S/SE/-T	TRANSISTOR		
	D 719	1SS133-T2	SI DIODE				Q 711	KTC3200/GL/-T	TRANSISTOR		
	D 720	1SS133-T2	SI DIODE				Q 712	KTA1268/GL/-T	TRANSISTOR		
	D 722	MTZJ15C-T2	Z DIODE				Q 713	2SC2389S/SE/-T	TRANSISTOR		
	D 723	MTZJ33C-T2	Z DIODE				Q 726	2SC2389S/SE/-T	TRANSISTOR		
	D 724	MTZJ33C-T2	Z DIODE				Q 727	KTA1268/GL/-T	TRANSISTOR		
	D 725	1SS133-T2	SI DIODE				Q 728	KTC3199/GL/-T	TRANSISTOR		
	D 728	1SS133-T2	SI DIODE				Q 733	2SC3576-JVC-T	TRANSISTOR		
	D 742	MTZJ2.4B-T2	Z.DIODE				Q 734	2SC3576-JVC-T	TRANSISTOR		
	D1021	MTZJ5.1B-T2	ZENER DIODE				Q 735	2SC3576-JVC-T	TRANSISTOR		
	D1061	1SS133-T2	SI DIODE				Q 736	2SC3576-JVC-T	TRANSISTOR		
	FT111	QNG0020-001Z	FUSE CLIP				Q 737	KRA111M-T	D.TRANSISTOR		
	FT112	QNG0020-001Z	FUSE CLIP				Q 742	2SK301/PQ/-T	TRANSISTOR(FET)		
	FT131	QNG0020-001Z	FUSE CLIP				Q1021	KRA111M-T	D.TRANSISTOR		

■ Electrical parts list (Power AMP.&Source select board) Block No. 01

△	Item	Parts number	Parts name	Remarks	Area	△	Item	Parts number	Parts name	Remarks	Area
	Q1022	KRA111M-T	D.TRANSISTOR				R 534	QRE141J-204Y	C RESISTOR	200K 5% 1/4W	
	Q1023	KRA111M-T	D.TRANSISTOR				R 535	QRE141J-113Y	C RESISTOR	11K 5% 1/4W	
	Q1061	2SD2144S/VWV-T	TRANSISTOR				R 536	QRE141J-113Y	C RESISTOR	11K 5% 1/4W	
△	R 202	QRZ9042-2R2X	F RESISTOR	2.2 1/0W			R 537	QRE141J-101Y	C RESISTOR	100 5% 1/4W	
	R 203	QRE141J-302Y	C RESISTOR	3.0K 5% 1/4W			R 551	QRE141J-102Y	C RESISTOR	1.0K 5% 1/4W	
	R 204	QRE141J-223Y	C RESISTOR	22K 5% 1/4W			R 552	QRE141J-102Y	C RESISTOR	1.0K 5% 1/4W	
	R 205	QRE141J-104Y	C RESISTOR	100K 5% 1/4W			R 553	QRE141J-223Y	C RESISTOR	22K 5% 1/4W	
	R 206	QRE141J-562Y	C RESISTOR	5.6K 5% 1/4W			R 554	QRE141J-223Y	C RESISTOR	22K 5% 1/4W	
	R 207	QRE141J-103Y	C RESISTOR	10K 5% 1/4W			R 560	QRE141J-102Y	C RESISTOR	1.0K 5% 1/4W	
	R 209	QRE141J-103Y	C RESISTOR	10K 5% 1/4W			R 561	QRE141J-103Y	C RESISTOR	10K 5% 1/4W	
	R 210	QRE141J-472Y	C RESISTOR	4.7K 5% 1/4W			R 562	QRE141J-103Y	C RESISTOR	10K 5% 1/4W	
	R 211	QRE141J-103Y	C RESISTOR	10K 5% 1/4W			R 581	QRE141J-224Y	C RESISTOR	220K 5% 1/4W	
	R 215	QRE141J-473Y	C RESISTOR	47K 5% 1/4W			R 582	QRE141J-101Y	C RESISTOR	100 5% 1/4W	
	R 216	QRE141J-473Y	C RESISTOR	47K 5% 1/4W			R 583	QRE141J-101Y	C RESISTOR	100 5% 1/4W	
△	R 233	QRK126J-470X	C RESISTOR	47 5% 1/2W			R 584	QRE141J-222Y	C RESISTOR	2.2K 5% 1/4W	
△	R 234	QRK126J-470X	C RESISTOR	47 5% 1/2W			R 585	QRE141J-242Y	C RESISTOR	2.4K 5% 1/4W	
	R 242	QRE141J-103Y	C RESISTOR	10K 5% 1/4W			R 586	QRE141J-274Y	C RESISTOR	270K 5% 1/4W	
	R 245	QRE141J-103Y	C RESISTOR	10K 5% 1/4W			R 587	QRE141J-124Y	C RESISTOR	120K 5% 1/4W	
	R 401	QRE141J-102Y	C RESISTOR	1.0K 5% 1/4W			R 588	QRE141J-224Y	C RESISTOR	220K 5% 1/4W	
	R 402	QRE141J-102Y	C RESISTOR	1.0K 5% 1/4W			R 589	QRE141J-101Y	C RESISTOR	100 5% 1/4W	
	R 403	QRE141J-472Y	C RESISTOR	4.7K 5% 1/4W			R 590	QRE141J-101Y	C RESISTOR	100 5% 1/4W	
	R 404	QRE141J-472Y	C RESISTOR	4.7K 5% 1/4W			R 593	QRE141J-243Y	C RESISTOR	24K 5% 1/4W	
	R 405	QRE141J-222Y	C RESISTOR	2.2K 5% 1/4W			R 594	QRE141J-243Y	C RESISTOR	24K 5% 1/4W	
	R 406	QRE141J-222Y	C RESISTOR	2.2K 5% 1/4W			R 595	QRE141J-433Y	C RESISTOR	43K 5% 1/4W	
	R 407	QRE141J-272Y	C RESISTOR	2.7K 5% 1/4W			R 596	QRE141J-433Y	C RESISTOR	43K 5% 1/4W	
	R 411	QRE141J-103Y	C RESISTOR	10K 5% 1/4W			R 597	QRE141J-104Y	C RESISTOR	100K 5% 1/4W	
	R 412	QRE141J-103Y	C RESISTOR	10K 5% 1/4W			R 598	QRE141J-104Y	C RESISTOR	100K 5% 1/4W	
	R 413	QRE141J-683Y	C RESISTOR	68K 5% 1/4W			R 701	QRJ146J-470X	UNF C.RESISTOR	47 5% 1/4W	
	R 414	QRE141J-683Y	C RESISTOR	68K 5% 1/4W			R 702	QRJ146J-470X	UNF C.RESISTOR	47 5% 1/4W	
	R 431	QRE141J-303Y	C RESISTOR	30K 5% 1/4W			R 703	QRE141J-563Y	C RESISTOR	56K 5% 1/4W	
	R 432	QRE141J-303Y	C RESISTOR	30K 5% 1/4W			R 704	QRE141J-563Y	C RESISTOR	56K 5% 1/4W	
	R 434	QRJ146J-4R7X	UNF C.RESISTOR	4.7 5% 1/4W			R 705	QRJ146J-821X	UNF C.RESISTOR	820 5% 1/4W	
	R 435	QRE141J-103Y	C RESISTOR	10K 5% 1/4W			R 706	QRJ146J-821X	UNF C.RESISTOR	820 5% 1/4W	
	R 436	QRE141J-103Y	C RESISTOR	10K 5% 1/4W			R 707	QRE141J-563Y	C RESISTOR	56K 5% 1/4W	
	R 437	QRE141J-102Y	C RESISTOR	1.0K 5% 1/4W			R 708	QRE141J-563Y	C RESISTOR	56K 5% 1/4W	
	R 438	QRE141J-272Y	C RESISTOR	2.7K 5% 1/4W			R 713	QRJ146J-100X	UNF.C RESISTOR	10 5% 1/4W	
	R 439	QRE141J-562Y	C RESISTOR	5.6K 5% 1/4W			R 714	QRJ146J-100X	UNF.C RESISTOR	10 5% 1/4W	
	R 440	QRE141J-562Y	C RESISTOR	5.6K 5% 1/4W			R 715	QRJ146J-100X	UNF.C RESISTOR	10 5% 1/4W	
	R 441	QRE141J-272Y	C RESISTOR	2.7K 5% 1/4W			R 716	QRJ146J-100X	UNF.C RESISTOR	10 5% 1/4W	
	R 442	QRE141J-103Y	C RESISTOR	10K 5% 1/4W			R 717	QRE141J-102Y	C RESISTOR	1.0K 5% 1/4W	
	R 443	QRE141J-104Y	C RESISTOR	100K 5% 1/4W			R 718	QRE141J-102Y	C RESISTOR	1.0K 5% 1/4W	
	R 444	QRE141J-104Y	C RESISTOR	100K 5% 1/4W			R 719	QRE141J-562Y	C RESISTOR	5.6K 5% 1/4W	
	R 466	QRE141J-201Y	C RESISTOR	200 5% 1/4W			R 720	QRE141J-562Y	C RESISTOR	5.6K 5% 1/4W	
	R 467	QRE141J-203Y	C RESISTOR	20K 5% 1/4W			R 721	QRE141J-103Y	C RESISTOR	10K 5% 1/4W	
	R 468	QRE141J-203Y	C RESISTOR	20K 5% 1/4W			R 722	QRE141J-103Y	C RESISTOR	10K 5% 1/4W	
	R 469	QRE141J-562Y	C RESISTOR	5.6K 5% 1/4W			R 723	QRE141J-152Y	C RESISTOR	1.5K 5% 1/4W	
	R 470	QRE141J-562Y	C RESISTOR	5.6K 5% 1/4W			R 724	QRE141J-152Y	C RESISTOR	1.5K 5% 1/4W	
	R 471	QRE141J-223Y	C RESISTOR	22K 5% 1/4W			R 725	QRE141J-823Y	C RESISTOR	82K 5% 1/4W	
	R 472	QRE141J-102Y	C RESISTOR	1.0K 5% 1/4W			R 726	QRE141J-104Y	C RESISTOR	100K 5% 1/4W	
	R 473	QRE141J-682Y	C RESISTOR	6.8K 5% 1/4W			R 727	QRE141J-104Y	C RESISTOR	100K 5% 1/4W	
	R 474	QRE141J-513Y	C RESISTOR	51K 5% 1/4W			R 728	QRE141J-103Y	C RESISTOR	10K 5% 1/4W	
	R 475	QRE141J-101Y	C RESISTOR	100 5% 1/4W			R 729	QRE141J-104Y	C RESISTOR	100K 5% 1/4W	
	R 489	QRE141J-102Y	C RESISTOR	1.0K 5% 1/4W			R 730	QRE141J-103Y	C RESISTOR	10K 5% 1/4W	
	R 491	QRE141J-102Y	C RESISTOR	1.0K 5% 1/4W			△	R 731	QRJ146J-4R7X	UNF C.RESISTOR	4.7 5% 1/4W
	R 493	QRE141J-103Y	C RESISTOR	10K 5% 1/4W			△	R 732	QRJ146J-4R7X	UNF C.RESISTOR	4.7 5% 1/4W
	R 496	QRE141J-102Y	C RESISTOR	1.0K 5% 1/4W			R 733	QRE141J-472Y	C RESISTOR	4.7K 5% 1/4W	
	R 497	QRE141J-103Y	C RESISTOR	10K 5% 1/4W			R 734	QRE141J-472Y	C RESISTOR	4.7K 5% 1/4W	
	R 526	QRE141J-101Y	C RESISTOR	100 5% 1/4W			R 735	QRE141J-472Y	C RESISTOR	4.7K 5% 1/4W	
	R 527	QRE141J-222Y	C RESISTOR	2.2K 5% 1/4W			R 736	QRE141J-472Y	C RESISTOR	4.7K 5% 1/4W	
	R 528	QRE141J-222Y	C RESISTOR	2.2K 5% 1/4W			R 739	QRL01DJ-821X	OMF RESISTOR	820 5% 1/1W	
	R 529	QRE141J-332Y	C RESISTOR	3.3K 5% 1/4W			R 740	QRL01DJ-821X	OMF RESISTOR	820 5% 1/1W	
	R 530	QRE141J-332Y	C RESISTOR	3.3K 5% 1/4W			R 742	QRE141J-473Y	C RESISTOR	47K 5% 1/4W	
	R 533	QRE141J-204Y	C RESISTOR	200K 5% 1/4W			R 743	QRE141J-153Y	C RESISTOR	15K 5% 1/4W	

■ Electrical parts list (Power AMP.&Source select board) Block No. 01

△	Item	Parts number	Parts name	Remarks	Area
	R 744	QRE141J-475Y	C RESISTOR	4.7M 5% 1/4W	
	R 745	QRE141J-105Y	C RESISTOR	1.0M 5% 1/4W	
	R 746	QRE141J-392Y	C RESISTOR	3.9K 5% 1/4W	
	R 747	QRE141J-203Y	C RESISTOR	20K 5% 1/4W	
	R 748	QRE141J-103Y	C RESISTOR	10K 5% 1/4W	
	R 750	QRJ146J-470X	UNF C.RESISTOR	47 5% 1/4W	
	R 753	QRZ0196-R22	EMIT.RESISTOR	1/1W	
	R 754	QRZ0196-R22	EMIT.RESISTOR	1/1W	
	R 761	QRE141J-102Y	C RESISTOR	1.0K 5% 1/4W	
	R 762	QRE141J-102Y	C RESISTOR	1.0K 5% 1/4W	
	R 766	QRE141J-333Y	C RESISTOR	33K 5% 1/4W	
	R 767	QRE141J-103Y	C RESISTOR	10K 5% 1/4W	
	R 768	QRE141J-103Y	C RESISTOR	10K 5% 1/4W	
△	R 774	QRJ146J-100X	UNF.C RESISTOR	10 5% 1/4W	
	R 775	QRE141J-102Y	C RESISTOR	1.0K 5% 1/4W	
	R 776	QRE141J-102Y	C RESISTOR	1.0K 5% 1/4W	
	R 777	QRE141J-103Y	C RESISTOR	10K 5% 1/4W	
	R 778	QRE141J-103Y	C RESISTOR	10K 5% 1/4W	
	R 784	QRE141J-823Y	C RESISTOR	82K 5% 1/4W	
	R 785	QRE141J-823Y	C RESISTOR	82K 5% 1/4W	
	R 786	QRE141J-103Y	C RESISTOR	10K 5% 1/4W	
	R 787	QRE141J-103Y	C RESISTOR	10K 5% 1/4W	
	RY 1	QSK0109-001	RELAY		
	R1021	QRE141J-472Y	C RESISTOR	4.7K 5% 1/4W	
	R1022	QRE141J-472Y	C RESISTOR	4.7K 5% 1/4W	
	R1031	QRE141J-203Y	C RESISTOR	20K 5% 1/4W	
	R1032	QRE141J-203Y	C RESISTOR	20K 5% 1/4W	
	R1033	QRE141J-822Y	C RESISTOR	8.2K 5% 1/4W	
	R1034	QRE141J-103Y	C RESISTOR	10K 5% 1/4W	
	R1035	QRE141J-333Y	C RESISTOR	33K 5% 1/4W	
	R1036	QRE141J-392Y	C RESISTOR	3.9K 5% 1/4W	
	R1037	QRE141J-153Y	C RESISTOR	15K 5% 1/4W	
	R1038	QRE141J-472Y	C RESISTOR	4.7K 5% 1/4W	
	R1039	QRE141J-103Y	C RESISTOR	10K 5% 1/4W	
	R1040	QRE141J-272Y	C RESISTOR	2.7K 5% 1/4W	
	R1041	QRE141J-203Y	C RESISTOR	20K 5% 1/4W	
	R1042	QRE141J-221Y	C RESISTOR	220 5% 1/4W	
	R1043	QRE141J-203Y	C RESISTOR	20K 5% 1/4W	
	R1044	QRE141J-562Y	C RESISTOR	5.6K 5% 1/4W	
	R1045	QRE141J-102Y	C RESISTOR	1.0K 5% 1/4W	
	R1061	QRE141J-103Y	C RESISTOR	10K 5% 1/4W	
	R1062	QRE141J-123Y	C RESISTOR	12K 5% 1/4W	
	R1063	QRE141J-391Y	C RESISTOR	390 5% 1/4W	
	R1064	QRE141J-152Y	C RESISTOR	1.5K 5% 1/4W	
	R1065	QRE141J-101Y	C RESISTOR	100 5% 1/4W	
	R1066	QRE141J-475Y	C RESISTOR	4.7M 5% 1/4W	
	R1067	QRE141J-560Y	C RESISTOR	56 5% 1/4W	
	R1068	QRE141J-203Y	C RESISTOR	20K 5% 1/4W	
	R1069	QRE141J-102Y	C RESISTOR	1.0K 5% 1/4W	
	R1070	QRE141J-561Y	C RESISTOR	560 5% 1/4W	
	R1071	QRE141J-472Y	C RESISTOR	4.7K 5% 1/4W	
	R1072	QRE141J-472Y	C RESISTOR	4.7K 5% 1/4W	
	R1073	QRE141J-103Y	C RESISTOR	10K 5% 1/4W	
	R1074	QRE141J-152Y	C RESISTOR	1.5K 5% 1/4W	
	S 500	QSW0812-001	VOLTAGE SWITCH		
	SP701	E3400-439	FELT SPACER		
	SP702	E3400-439	FELT SPACER		
	SP711	E3400-439	FELT SPACER		
	SP712	E3400-439	FELT SPACER		
	TB101	QNZ0079-001Z	TAB		
	TB102	QNZ0079-001Z	TAB		
	VR901	QVQ0045-B54	V RESISTOR		

■ Electrical parts list (System control board)

Block No. 02

△	Item	Parts number	Parts name	Remarks	Area	△	Item	Parts number	Parts name	Remarks	Area
	C 360	QETN1CM-476Z	E CAPACITOR	47MF 20% 16V			CN860	QGB1214K1-20S	CONNECTOR		
	C 361	QDYB1CM-103Y	C CAPACITOR				CN861	QGB1214K1-20S	CONNECTOR		
	C 362	EETC1HM-226ZJC	E CAPACITOR				CN862	QGD2504C1-03Z	SOCKET		
	C 366	EETC1HM-226ZJC	E CAPACITOR				CN863	QGD2504C1-03Z	SOCKET		
	C 367	QDYB1CM-103Y	C CAPACITOR				CN865	QGF1205C1-09	CONNECTOR		
	C 370	QDYB1CM-103Y	C CAPACITOR				CN867	QGA2501C1-02	2P CONNECTOR		
	C 371	EETC1HM-226ZJC	E CAPACITOR				CN868	QGF1016C1-19	CONNECTOR		
	C 372	EETC1HM-226ZJC	E CAPACITOR				CN869	QGF1205C1-11	CONNECTOR		
	C 373	QDYB1CM-103Y	C CAPACITOR				CN879	QGF1031C1-09S	FFC/FPC CONNE		
	C 374	EETC1HM-226ZJC	E CAPACITOR				CN880	QGF1205C1-11	CONNECTOR		
	C 801	QFLM1HJ-103Z	M CAPACITOR	.010MF 5% 50V			CN883	QGD2504C1-03Z	SOCKET		
	C 803	QETN0JM-477Z	E CAPACITOR	470MF 20% 6.3V			CN884	QGD2504C1-03Z	SOCKET		
	C 804	QETN0JM-108Z	E CAPACITOR	1000MF 20% 6.3V			CN900	QGD2504C1-04Z	SOCKET		
	C 805	QDGB1HK-102Y	C CAPACITOR				CN901	QGD2504C1-04Z	SOCKET		
	C 806	QDGB1HK-102Y	C CAPACITOR				CN905	QGF1205C1-11	CONNECTOR		
	C 807	QCS11HJ-390	C CAPACITOR	39PF 5% 50V			CN906	QGF1205C1-11	CONNECTOR		
	C 808	QCS11HJ-330	C CAPACITOR	33PF 5% 50V			CN979	QGF1016F1-09	CONNECTOR		
	C 809	QCS11HJ-330	C CAPACITOR	33PF 5% 50V			CN990	QGF1205F1-11	CONNECTOR		
	C 810	QCS11HJ-390	C CAPACITOR	39PF 5% 50V			C1001	QDXB1CM-392Y	C CAPACITOR		UT
	C 811	QDGB1HK-102Y	C CAPACITOR				C1002	QDXB1CM-392Y	C CAPACITOR		UT
	C 812	QCS11HJ-220	C CAPACITOR	22PF 5% 50V			C1003	QDXB1CM-222Y	C CAPACITOR		UT
	C 813	QCS11HJ-270	C CAPACITOR	27PF 5% 50V			C1003	QDGB1HK-102Y	C CAPACITOR		UY
	C 815	EETC1HM-226ZJC	E CAPACITOR				C1004	QDGB1HK-102Y	C CAPACITOR		
	C 816	EETC1CM-476ZJC	E CAPACITOR				C1005	QDGB1HK-102Y	C CAPACITOR		
	C 817	EETC1HM-226ZJC	E CAPACITOR				C1006	QDGB1HK-102Y	C CAPACITOR		
	C 818	QCB1HK-221Y	C CAPACITOR	220PF 10% 50V			D 360	MTZJ5.1B-T2	ZENER DIODE		
	C 820	QCZ0205-155Z	ML C CAPACITOR	1.5MF			D 361	MTZJ11C-T2	Z DIODE		
	C 821	QDYB1CM-103Y	C CAPACITOR				D 362	MTZJ6.8C-T2	Z DIODE		
	C 823	QFVJ1HJ-334Z	M CAPACITOR	.33MF 5% 50V			D 365	MTZJ9.1B-T2	ZENER DIODE		
	C 831	QDYB1CM-103Y	C CAPACITOR				D 366	MTZJ11C-T2	Z.DIODE		
	C 832	QDYB1CM-103Y	C CAPACITOR				D 367	MTZJ10C-T2	Z.DIODE		
	C 834	EETC1HM-226ZJC	E CAPACITOR				D 368	MTZJ11C-T2	Z.DIODE		
	C 835	QDGB1HK-102Y	C CAPACITOR				D 369	MTZJ10C-T2	Z.DIODE		
	C 855	EETC0JM-227ZJC	E CAPACITOR				D 370	MTZJ11C-T2	Z.DIODE		
	C 856	EETC1AM-107ZJC	E CAPACITOR				D 801	1N4003S-T5	SI DIODE		
	C 857	EETC1CM-476ZJC	E CAPACITOR				D 803	1SS119-02-T2	SI DIODE		
	C 862	EETC1HM-475ZJC	E CAPACITOR				D 804	1SS133-T2	SI DIODE		
	C 870	QDYB1CM-103Y	C CAPACITOR				D 805	1SS133-T2	SI DIODE		
	C 871	EETC1HM-475ZJC	E CAPACITOR				D 831	MTZJ5.1B-T2	ZENER DIODE		
	C 872	EETC1HM-224ZJC	E CAPACITOR				D 832	MTZJ5.1B-T2	ZENER DIODE		
	C 876	EETC1HM-105ZJC	E CAPACITOR				D 853	MTZJ8.2C-T2	ZENER DIODE		
	C 877	QDGB1HK-681Y	C CAPACITOR				D 860	1SS133-T2	SI DIODE		
	C 878	QDXB1CM-182Y	C CAPACITOR				D 871	1SS133-T2	SI DIODE		
	C 879	QCS11HJ-330	C CAPACITOR	33PF 5% 50V			D 872	1SS133-T2	SI DIODE		
	C 880	QFLM1HJ-153Z	M CAPACITOR	.015MF 5% 50V			D 873	1SS133-T2	SI DIODE		
	C 881	QETN1EM-106Z	E CAPACITOR	10MF 20% 25V			D 955	SLR-342MC-T	LED		
	C 882	QETN1EM-106Z	E CAPACITOR	10MF 20% 25V			D 956	SLR-342MC-T	LED		
	C 883	QFLM1HJ-104Z	M CAPACITOR	.10MF 5% 50V			D 957	SLR-342MC-T	LED		
	C 884	EETC1AM-227ZJC	E CAPACITOR				D 958	SLR-342MC-T	LED		
	C 885	QFLM1HJ-103Z	M CAPACITOR	.010MF 5% 50V			D 961	1SS133-T2	SI DIODE		
	C 886	QFLM1HJ-103Z	M CAPACITOR	.010MF 5% 50V			D 962	SLA-370LT3F	LED	POWER LED	
	C 887	QFVJ1HJ-104Z	MF CAPACITOR	.10MF 5% 50V			D 981	SLR-342MC-T	LED		
	C 889	EETC1HM-105ZJC	E CAPACITOR				D 982	SLR-342MC-T	LED		
	C 890	QDGB1HK-102Y	C CAPACITOR				D 983	SLR-342MC-T	LED		
	C 950	QDYB1CM-103Y	C CAPACITOR				D 984	SLR-342MC-T	LED		
	C 951	QDYB1CM-103Y	C CAPACITOR				EP201	E409182-001SM	GRAND TERMINAL		
	C 991	QDYB1CM-103Y	C CAPACITOR				FL801	QLF0074-001	FL TUBE		
	C 992	QDYB1CM-103Y	C CAPACITOR				FW850	QUM153-06Z4Z4	FLAT WIRE		
	CN602	QGB2510K2-04	CONNECTOR				FW862	QUM026-26DGZ4	FLAT WIRE		
	CN713	QGD2503F1-06	4P PLUG ASSY				FW883	QUM026-26DGZ4	FLAT WIRE		
	CN815	QGD2504C1-03Z	SOCKET				FW915	QUM153-12DGZ4	FLAT WIRE		
	CN850	QGD2504C1-03Z	SOCKET				FW950	QUM157-11DGZ4	FLAT WIRE		
	CN851	QGD2504C1-04Z	SOCKET				FW951	QUM154-06Z4Z4	FLAT WIRE		

■ Electrical parts list (System control board)

Block No. 02

△	Item	Parts number	Parts name	Remarks	Area	△	Item	Parts number	Parts name	Remarks	Area
	FW952	QUM024-26Z4Z4	WIRE				R 362	QRE141J-331Y	C RESISTOR	330 5% 1/4W	
	IC810	MN101C35DEA2	IC(MCU)				R 363	QRE141J-331Y	C RESISTOR	330 5% 1/4W	
	IC811	BU4094BC	IC				R 364	QRE141J-122Y	C RESISTOR	1.2K 5% 1/4W	
	IC853	LB1641	IC				R 365	QRE141J-561Y	C RESISTOR	560 5% 1/4W	
	IC915	GP1U281X	IC				R 366	QRE141J-561Y	C RESISTOR	560 5% 1/4W	
	JS950	QSW0857-001	ROTARY ENCODER				R 367	QRE141J-122Y	C RESISTOR	1.2K 5% 1/4W	
	JS992	QSW0857-001	ROTARY ENCODER				R 368	QRE141J-331Y	C RESISTOR	330 5% 1/4W	
	J1001	QNS0159-001	3.5 JACK				R 372	QRE141J-4R7Y	C RESISTOR	4.7 5% 1/4W	
	L 801	QQL29BJ-100Z	INDUCTOR		UY		R 376	QRE141J-221Y	C RESISTOR	220 5% 1/4W	
	L 802	QQL231K-220Y	INDUCTOR				R 377	QRE141J-561Y	C RESISTOR	560 5% 1/4W	
	L 803	QQL29BJ-100Z	INDUCTOR				R 378	QRE141J-152Y	C RESISTOR	1.5K 5% 1/4W	
	L 804	QQR0779-001Z	INDUCTOR				R 381	QRE141J-182Y	C RESISTOR	1.8K 5% 1/4W	
	L 805	QQL29BJ-100Z	INDUCTOR				R 382	QRE141J-221Y	C RESISTOR	220 5% 1/4W	
	L 806	QQL29BJ-100Z	INDUCTOR				R 384	QRE141J-272Y	C RESISTOR	2.7K 5% 1/4W	
	L 807	QQR0779-001Z	INDUCTOR				R 385	QRE141J-562Y	C RESISTOR	5.6K 5% 1/4W	
	L 808	QQR0779-001Z	INDUCTOR				R 388	QRE141J-681Y	C RESISTOR	680 5% 1/4W	
	L 851	QQL29BJ-100Z	INDUCTOR				R 389	QRE141J-103Y	C RESISTOR	10K 5% 1/4W	
	L 870	QQR0779-001Z	INDUCTOR			△	R 395	QRZ9042-2R2X	F RESISTOR	2.2 1/0W	
	L1001	QQL231K-470Y	INDUCTOR		UT	△	R 396	QRZ9042-2R2X	F RESISTOR	2.2 1/0W	
	L1002	QQL231K-470Y	INDUCTOR		UT		R 801	QRE141J-331Y	C RESISTOR	330 5% 1/4W	
	L1003	QQL231K-2R2Y	INDUCTOR		UY		R 802	QRE141J-223Y	C RESISTOR	22K 5% 1/4W	
	L1003	QQR0779-001Z	INDUCTOR		UT		R 803	QRE141J-223Y	C RESISTOR	22K 5% 1/4W	
	Q 360	2SD2395/EF/	TRANSISTOR				R 804	QRE141J-822Y	C RESISTOR	8.2K 5% 1/4W	
	Q 361	KTC3199/GL/-T	TRANSISTOR				R 805	QRE141J-822Y	C RESISTOR	8.2K 5% 1/4W	
	Q 362	KTC3199/GL/-T	TRANSISTOR				R 806	QRE141J-124Y	C RESISTOR	120K 5% 1/4W	
	Q 366	2SD2395/EF/	TRANSISTOR				R 807	QRE141J-103Y	C RESISTOR	10K 5% 1/4W	
	Q 367	KTA1267/YG/-T	TRANSISTOR				R 808	QRE141J-103Y	C RESISTOR	10K 5% 1/4W	
	Q 368	KTC3199/GL/-T	TRANSISTOR				R 809	QRE141J-103Y	C RESISTOR	10K 5% 1/4W	
	Q 369	2SD2395/EF/	TRANSISTOR				R 810	QRE141J-103Y	C RESISTOR	10K 5% 1/4W	
	Q 370	KTC3199/GL/-T	TRANSISTOR				R 811	QRE141J-103Y	C RESISTOR	10K 5% 1/4W	
	Q 371	KTA1023/OY/-T	TRANSISTOR				R 812	QRE141J-103Y	C RESISTOR	10K 5% 1/4W	
	Q 372	KTA1023/OY/-T	TRANSISTOR				R 813	QRE141J-103Y	C RESISTOR	10K 5% 1/4W	
	Q 373	KRA104M-T	D.TRANSISTOR				R 814	QRE141J-562Y	C RESISTOR	5.6K 5% 1/4W	
	Q 374	KRC104M-T	D.TRANSISTOR				R 815	QRE141J-563Y	C RESISTOR	56K 5% 1/4W	
	Q 375	KTA1267/YG/-T	TRANSISTOR				R 816	QRE141J-563Y	C RESISTOR	56K 5% 1/4W	
	Q 801	KTC3195/O/-T	TRANSISTOR				R 817	QRE141J-103Y	C RESISTOR	10K 5% 1/4W	
	Q 802	KTC3195/O/-T	TRANSISTOR				R 818	QRE141J-103Y	C RESISTOR	10K 5% 1/4W	
	Q 803	KRC102M-T	D.TRANSISTOR				R 819	QRE141J-102Y	C RESISTOR	1.0K 5% 1/4W	
	Q 804	KRC102M-T	D.TRANSISTOR				R 820	QRE141J-102Y	C RESISTOR	1.0K 5% 1/4W	
	Q 805	KRC102M-T	D.TRANSISTOR				R 821	QRE141J-103Y	C RESISTOR	10K 5% 1/4W	
	Q 806	KRC102M-T	D.TRANSISTOR				R 822	QRE141J-103Y	C RESISTOR	10K 5% 1/4W	
	Q 807	KRC102M-T	D.TRANSISTOR				R 823	QRE141J-102Y	C RESISTOR	1.0K 5% 1/4W	
	Q 808	KRC102M-T	D.TRANSISTOR				R 824	QRE141J-102Y	C RESISTOR	1.0K 5% 1/4W	
	Q 809	KRC102M-T	D.TRANSISTOR				R 827	QRE141J-103Y	C RESISTOR	10K 5% 1/4W	
	Q 810	KRC102M-T	D.TRANSISTOR				R 831	QRE141J-104Y	C RESISTOR	100K 5% 1/4W	
	Q 811	KRC102M-T	D.TRANSISTOR				R 834	QRE141J-104Y	C RESISTOR	100K 5% 1/4W	
	Q 851	KTC3199/GL/-T	TRANSISTOR				R 835	QRE141J-104Y	C RESISTOR	100K 5% 1/4W	
	Q 860	KTC3199/GL/-T	TRANSISTOR				R 836	QRE141J-104Y	C RESISTOR	100K 5% 1/4W	
	Q 870	2SA1175/HFE/-T	TRANSISTOR				R 837	QRE141J-104Y	C RESISTOR	100K 5% 1/4W	
	Q 871	KTC3199/GL/-T	TRANSISTOR				R 838	QRE141J-102Y	C RESISTOR	1.0K 5% 1/4W	
	Q 872	KRC107M-T	D.TRANSISTOR				R 839	QRE141J-102Y	C RESISTOR	1.0K 5% 1/4W	
	Q 873	KTC3199/GL/-T	TRANSISTOR				R 840	QRE141J-103Y	C RESISTOR	10K 5% 1/4W	
	Q 874	KTC3199/GL/-T	TRANSISTOR				R 841	QRE141J-103Y	C RESISTOR	10K 5% 1/4W	
	Q 875	KRC102M-T	D.TRANSISTOR				R 842	QRE141J-103Y	C RESISTOR	10K 5% 1/4W	
	Q 877	KRC114M-T	TRANSISTOR				R 843	QRE141J-221Y	C RESISTOR	220 5% 1/4W	
	Q 878	KRA102M-T	D.TRANSISTOR				R 844	QRE141J-103Y	C RESISTOR	10K 5% 1/4W	
	Q 879	KRA102M-T	D.TRANSISTOR				R 845	QRE141J-102Y	C RESISTOR	1.0K 5% 1/4W	
	Q 880	KRC102M-T	D.TRANSISTOR				R 846	QRE141J-102Y	C RESISTOR	1.0K 5% 1/4W	
	Q 905	KRC104M-T	D.TRANSISTOR				R 847	QRE141J-102Y	C RESISTOR	1.0K 5% 1/4W	
	Q 906	KRC104M-T	D.TRANSISTOR				R 848	QRE141J-331Y	C RESISTOR	330 5% 1/4W	
	Q 961	KRA102M-T	D.TRANSISTOR				R 849	QRE141J-102Y	C RESISTOR	1.0K 5% 1/4W	
△	R 360	QRZ9042-2R2X	F RESISTOR	2.2 1/0W			R 850	QRE141J-681Y	C RESISTOR	680 5% 1/4W	
△	R 361	QRZ9006-4R7X	F RESISTOR	4.7 1/0W			R 851	QRE141J-391Y	C RESISTOR	390 5% 1/4W	

■ Electrical parts list (System control board)

Block No. 02

△	Item	Parts number	Parts name	Remarks	Area
	R 852	QRE141J-4R7Y	C RESISTOR	4.7 5% 1/4W	
	R 853	QRZ9042-2R2X	F RESISTOR	2.2 1/0W	
	R 856	QRE141J-100Y	C RESISTOR	10 5% 1/4W	
	R 857	QRE141J-104Y	C RESISTOR	100K 5% 1/4W	
	R 858	QRE141J-104Y	C RESISTOR	100K 5% 1/4W	
	R 860	QRE141J-684Y	C RESISTOR	680K 5% 1/4W	
	R 861	QRE141J-103Y	C RESISTOR	10K 5% 1/4W	
	R 862	QRE141J-220Y	C RESISTOR	22 5% 1/4W	
	R 864	QRE141J-103Y	C RESISTOR	10K 5% 1/4W	
	R 870	QRE141J-473Y	C RESISTOR	47K 5% 1/4W	
	R 871	QRE141J-102Y	C RESISTOR	1.0K 5% 1/4W	
	R 872	QRE141J-103Y	C RESISTOR	10K 5% 1/4W	
	R 873	QRE141J-103Y	C RESISTOR	10K 5% 1/4W	
	R 874	QRE141J-182Y	C RESISTOR	1.8K 5% 1/4W	
	R 875	QRE141J-472Y	C RESISTOR	4.7K 5% 1/4W	
	R 876	QRE141J-103Y	C RESISTOR	10K 5% 1/4W	
	R 879	QRE141J-473Y	C RESISTOR	47K 5% 1/4W	
	R 880	QRE141J-225Y	C RESISTOR	2.2M 5% 1/4W	
	R 881	QRE141J-103Y	C RESISTOR	10K 5% 1/4W	
	R 882	QRE141J-104Y	C RESISTOR	100K 5% 1/4W	
	R 883	QRE141J-220Y	C RESISTOR	22 5% 1/4W	
	R 885	QRE141J-102Y	C RESISTOR	1.0K 5% 1/4W	
	R 886	QRE141J-102Y	C RESISTOR	1.0K 5% 1/4W	
	R 887	QRE141J-102Y	C RESISTOR	1.0K 5% 1/4W	
	R 888	QRE141J-102Y	C RESISTOR	1.0K 5% 1/4W	
	R 889	QRE141J-102Y	C RESISTOR	1.0K 5% 1/4W	
	R 891	QRE141J-104Y	C RESISTOR	100K 5% 1/4W	
	R 892	QRE141J-104Y	C RESISTOR	100K 5% 1/4W	
	R 893	QRE141J-753Y	C RESISTOR	75K 5% 1/4W	
	R 894	QRE141J-183Y	C RESISTOR	18K 5% 1/4W	UY
	R 894	QRE141J-334Y	C RESISTOR	330K 5% 1/4W	UT
	R 895	QRE141J-152Y	C RESISTOR	1.5K 5% 1/4W	
	R 896	QRE141J-103Y	C RESISTOR	10K 5% 1/4W	
	R 897	QRE141J-152Y	C RESISTOR	1.5K 5% 1/4W	
	R 898	QRE141J-103Y	C RESISTOR	10K 5% 1/4W	
	R 899	QRE141J-4R3Y	C RESISTOR	4.3 5% 1/4W	
	R 905	QRE141J-104Y	C RESISTOR	100K 5% 1/4W	
	R 906	QRE141J-104Y	C RESISTOR	100K 5% 1/4W	
	R 921	QRE141J-102Y	C RESISTOR	1.0K 5% 1/4W	
	R 922	QRE141J-102Y	C RESISTOR	1.0K 5% 1/4W	
	R 923	QRE141J-122Y	C RESISTOR	1.2K 5% 1/4W	
	R 924	QRE141J-152Y	C RESISTOR	1.5K 5% 1/4W	
	R 925	QRE141J-222Y	C RESISTOR	2.2K 5% 1/4W	
	R 926	QRE141J-272Y	C RESISTOR	2.7K 5% 1/4W	
	R 927	QRE141J-392Y	C RESISTOR	3.9K 5% 1/4W	
	R 928	QRE141J-562Y	C RESISTOR	5.6K 5% 1/4W	
	R 931	QRE141J-202Y	C RESISTOR	2.0K 5% 1/4W	
	R 932	QRE141J-122Y	C RESISTOR	1.2K 5% 1/4W	
	R 933	QRE141J-152Y	C RESISTOR	1.5K 5% 1/4W	
	R 934	QRE141J-222Y	C RESISTOR	2.2K 5% 1/4W	
	R 935	QRE141J-272Y	C RESISTOR	2.7K 5% 1/4W	
	R 936	QRE141J-392Y	C RESISTOR	3.9K 5% 1/4W	
	R 937	QRE141J-562Y	C RESISTOR	5.6K 5% 1/4W	
	R 938	QRE141J-103Y	C RESISTOR	10K 5% 1/4W	
	R 939	QRE141J-103Y	C RESISTOR	10K 5% 1/4W	
	R 941	QRE141J-102Y	C RESISTOR	1.0K 5% 1/4W	
	R 942	QRE141J-102Y	C RESISTOR	1.0K 5% 1/4W	
	R 943	QRE141J-122Y	C RESISTOR	1.2K 5% 1/4W	
	R 944	QRE141J-152Y	C RESISTOR	1.5K 5% 1/4W	
	R 945	QRE141J-222Y	C RESISTOR	2.2K 5% 1/4W	
	R 946	QRE141J-272Y	C RESISTOR	2.7K 5% 1/4W	
	R 951	QRE141J-753Y	C RESISTOR	75K 5% 1/4W	
	R 952	QRE141J-392Y	C RESISTOR	3.9K 5% 1/4W	

△	Item	Parts number	Parts name	Remarks	Area
	R 953	QRE141J-562Y	C RESISTOR	5.6K 5% 1/4W	
	R 954	QRE141J-103Y	C RESISTOR	10K 5% 1/4W	
	R 955	QRE141J-680Y	C RESISTOR	68 5% 1/4W	
	R 956	QRE141J-680Y	C RESISTOR	68 5% 1/4W	
	R 961	QRE141J-201Y	C RESISTOR	200 5% 1/4W	
	R 962	QRE141J-103Y	C RESISTOR	10K 5% 1/4W	
	R 963	QRE141J-103Y	C RESISTOR	10K 5% 1/4W	
	R 964	QRE141J-334Y	C RESISTOR	330K 5% 1/4W	
	R 981	QRE141J-680Y	C RESISTOR	68 5% 1/4W	
	R 982	QRE141J-680Y	C RESISTOR	68 5% 1/4W	
	R 985	QRE141J-392Y	C RESISTOR	3.9K 5% 1/4W	
	R 986	QRE141J-562Y	C RESISTOR	5.6K 5% 1/4W	
	R 991	QRE141J-102Y	C RESISTOR	1.0K 5% 1/4W	
	R 992	QRE141J-102Y	C RESISTOR	1.0K 5% 1/4W	
	R 993	QRE141J-122Y	C RESISTOR	1.2K 5% 1/4W	
	R 994	QRE141J-152Y	C RESISTOR	1.5K 5% 1/4W	
	R 995	QRE141J-222Y	C RESISTOR	2.2K 5% 1/4W	
	R 996	QRE141J-272Y	C RESISTOR	2.7K 5% 1/4W	
	RA801	QRB169J-104	R.NETWORK	100K 5% 1/6W	
	RA802	QRB169J-104	R.NETWORK	100K 5% 1/6W	
	S 921	QSW0825-001Z	TACT SWITCH		
	S 922	QSW0825-001Z	TACT SWITCH		
	S 923	QSW0825-001Z	TACT SWITCH		
	S 924	QSW0825-001Z	TACT SWITCH		
	S 925	QSW0825-001Z	TACT SWITCH		
	S 926	QSW0825-001Z	TACT SWITCH		
	S 927	QSW0825-001Z	TACT SWITCH		
	S 928	QSW0825-001Z	TACT SWITCH		
	S 931	QSW0825-001Z	TACT SWITCH		
	S 932	QSW0825-001Z	TACT SWITCH		
	S 933	QSW0825-001Z	TACT SWITCH		
	S 934	QSW0825-001Z	TACT SWITCH		
	S 935	QSW0825-001Z	TACT SWITCH		
	S 936	QSW0825-001Z	TACT SWITCH		
	S 937	QSW0825-001Z	TACT SWITCH		
	S 938	QSW0825-001Z	TACT SWITCH		
	S 939	QSW0825-001Z	TACT SWITCH		
	S 945	QSW0825-001Z	TACT SWITCH		
	S 946	QSW0825-001Z	TACT SWITCH		
	S 948	QSW0122-001	PUSH SWITCH	PANEL OP	
	S 949	QSW0518-001	PUSH SWITCH	PANEL CL	
	S 952	QSW0825-001Z	TACT SWITCH		
	S 953	QSW0825-001Z	TACT SWITCH		
	S 963	QSW0825-001Z	TACT SWITCH		
	S 985	QSW0825-001Z	TACT SWITCH		
	S 986	QSW0825-001Z	TACT SWITCH		
	S 991	QSW0825-001Z	TACT SWITCH		
	S 992	QSW0825-001Z	TACT SWITCH		
	S 993	QSW0825-001Z	TACT SWITCH		
	S 994	QSW0825-001Z	TACT SWITCH		
	S 995	QSW0825-001Z	TACT SWITCH		
	S 996	QSW0825-001Z	TACT SWITCH		
	S 997	QSW0825-001Z	TACT SWITCH		
	SP801	VYH7653-001	IC HOLDER		
	X 801	QAX0283-001Z	RESONATOR		
	X 802	QAX0401-001	CRYSTAL		

■ Electrical parts list (Tuner board)

Block No. 04

△	Item	Parts number	Parts name	Remarks	Area	△	Item	Parts number	Parts name	Remarks	Area
	C 1	NCB21HK-223X	C CAPACITOR				IC 2	LC72136N	IC		
	C 2	NCB21HK-103X	C CAPACITOR				J 1	QNB0014-001	ANT TERMINAL		
	C 3	EETC1CM-106ZJC	E.CAPACITOR				L 1	QQR0796-002	COIL BLOCK		
	C 4	NCB21HK-103X	C CAPACITOR				Q 1	2SC2814/4-5/-X	TRANSISTOR		
	C 6	NCB21HK-102X	C CAPACITOR				Q 5	DTA114YKA-X	TRANSISTOR		
	C 7	NCB21HK-102X	C CAPACITOR				R 1	QRE141J-560Y	C RESISTOR	56 5% 1/4W	
	C 8	NCB21HK-102X	C CAPACITOR				R 2	NRSA02J-331X	MG RESISTOR		
	C 10	NRSA02J-0R0X	MG RESISTOR				R 3	NRSA02J-224X	MG RESISTOR		
	C 11	NCB21HK-104X	C CAPACITOR				R 4	NRSA02J-331X	MG RESISTOR		
	C 12	NCB21HK-473X	C CAPACITOR				R 5	NRSA02J-560X	MG RESISTOR		
	C 13	NCS21HJ-120X	C CAPACITOR				R 6	NRSA02J-240X	MG RESISTOR		
	C 14	QEK1AM-107Z	E CAPACITOR	100MF 20% 10V			R 10	NRSA02J-222X	MG RESISTOR		
	C 15	NCS21HJ-120X	C CAPACITOR				R 13	NRSA02J-103X	MG RESISTOR		
	C 16	NCS21HJ-120X	C CAPACITOR				R 14	NRSA02J-104X	MG RESISTOR		
	C 17	NCB21HK-392X	C CAPACITOR				R 15	NRSA02J-332X	MG RESISTOR		
	C 18	QEQ61HM-474Z	N.P.E.CAPACITOR	.47MF 20% 50V			R 16	NRSA02J-472X	MG RESISTOR		
	C 19	NCB21HK-473X	C CAPACITOR				R 17	QRZ9005-680X	F RESISTOR	68 1/0W	
	C 20	NCB21HK-102X	C CAPACITOR				R 18	NRSA02J-102X	MG RESISTOR		
	C 21	NCB21HK-223X	C CAPACITOR				R 19	NRSA02J-102X	MG RESISTOR		
	C 22	NCS21HJ-151X	C CAPACITOR				R 20	NRSA02J-102X	MG RESISTOR		
	C 23	NCS21HJ-151X	C CAPACITOR				R 21	NRSA02J-562X	MG RESISTOR		
	C 24	NCS21HJ-151X	C CAPACITOR				R 22	NRSA02J-472X	MG RESISTOR		
	C 25	QEK1AM-107Z	E.CAPACITOR	100MF 20% 10V			R 23	NRSA02J-182X	MG RESISTOR		
	C 26	NCB21HK-102X	C CAPACITOR				R 24	NRSA02J-103X	MG RESISTOR		
	C 27	NCB21HK-102X	C CAPACITOR				R 25	NRSA02J-331X	MG RESISTOR		
	C 30	EETC1CM-107ZJC	E CAPACITOR				R 26	NRSA02J-222X	MG RESISTOR		
	C 31	QEK1CM-226Z	E CAPACITOR	22MF 20% 16V			R 27	NRSA02J-103X	MG RESISTOR		
	C 32	NCB21HK-473X	C CAPACITOR				R 28	NRSA02J-103X	MG RESISTOR		
	C 33	NCB21HK-473X	C CAPACITOR				R 29	NRSA02J-103X	MG RESISTOR		
	C 34	NCB21HK-223X	C CAPACITOR				R 30	NRSA02J-122X	MG RESISTOR		
	C 35	NCB21HK-473X	C CAPACITOR				R 31	NRSA02J-102X	MG RESISTOR		
	C 36	EETC1HM-105ZJC	E CAPACITOR				R 32	NRSA02J-102X	MG RESISTOR		
	C 37	EETC1HM-105ZJC	E CAPACITOR				R 33	NRSA02J-331X	MG RESISTOR		
	C 38	EETC1HM-224ZJC	E CAPACITOR				R 34	NRSA02J-470X	MG RESISTOR		
	C 39	EETC1HM-105ZJC	E CAPACITOR				R 35	NRSA02J-562X	MG RESISTOR		
	C 40	QETN1CM-106Z	E CAPACITOR	10MF 20% 16V			R 36	NRSA02J-332X	MG RESISTOR		
	C 41	QETN1CM-106Z	E CAPACITOR	10MF 20% 16V			R 37	NRSA02J-103X	MG RESISTOR		
	C 42	NCB21HK-152X	C CAPACITOR				R 38	NRSA02J-563X	MG RESISTOR		
	C 43	NCB21HK-152X	C CAPACITOR				R 39	NRSA02J-563X	MG RESISTOR		
	C 44	QETN1CM-106Z	E CAPACITOR	10MF 20% 16V			R 40	NRSA02J-243X	MG RESISTOR		
	C 45	QETN1CM-106Z	E CAPACITOR	10MF 20% 16V			R 41	NRSA02J-332X	MG RESISTOR		
	C 46	NCB21HK-273X	C CAPACITOR				R 60	NRSA02J-0R0X	MG RESISTOR		
	C 47	EETC1HM-105ZJC	E CAPACITOR				T 1	QQR0793-001	IFT		
	C 48	NCB21HK-222X	C CAPACITOR				TU 1	QAU0161-001	FRONT END		
	C 49	NCS21HJ-471X	C CAPACITOR				X 1	QAX0402-001	CRYSTAL		
	C 50	QEK1CM-226Z	E CAPACITOR	22MF 20% 16V							
	C 51	QEK1HM-105Z	E CAPACITOR	1.0MF 20% 50V							
	C 52	QFV1HJ-274Z	MF CAPACITOR	.27MF 5% 50V							
	C 53	EETC1CM-226ZJC	E CAPACITOR								
	C 54	NCB21HK-473X	C CAPACITOR								
	C 57	NCB21HK-102X	C CAPACITOR								
	C 58	NCB21HK-473X	C CAPACITOR								
	C 59	NCB21HK-102X	C CAPACITOR								
	CF 1	VCF2L3B-105Z	CERAMIC FILTER								
	CF 2	VCF2L3B-105Z	CERAMIC FILTER								
	CF 3	QAX0610-001Z	C DISCRIMINATOR								
	CN 1	QGF1205F1-09	CONNECTOR								
	D 1	1SS133-T2	SI DIODE								
	D 2	1SS133-T2	SI DIODE								
	D 3	1SS133-T2	SI DIODE								
	D 4	1SS133-T2	SI DIODE								
	D 11	1SS133-T2	SI DIODE								
	IC 1	LA1838	IC								

■ Electrical parts list (CD servo board)

Block No. 05

△	Item	Parts number	Parts name	Remarks	Area	△	Item	Parts number	Parts name	Remarks	Area
	C 251	NCS21HJ-100X	C CAPACITOR				CN854	QGB2016K1-07	CONNECTOR	TRAY SWITCH	
	C 252	NCS21HJ-100X	C CAPACITOR				CN855	QGB2012K2-10	CONNECTOR	CAM SWITCH	
	C 253	NCB21EK-104X	C CAPACITOR				IC251	UPD780055GC011	IC	MICOM	
	C 254	QERF1AM-476Z	E CAPACITOR	47MF 20% 10V			IC601	AN8806SB-W	IC	RF AMP	
	C 255	NCB21EK-104X	C CAPACITOR				IC651	MN35510	IC	DSP & DAC	
	C 281	NCB21HK-223X	C CAPACITOR				IC801	BA6897FP-W	IC	PU DRIVE	
	C 291	QERF1AM-476Z	E CAPACITOR	47MF 20% 10V			IC851	TA8409S	IC	L MOTOR DRIVE	
	C 601	NCB21HK-102X	C CAPACITOR				IC852	TA8409S	IC	R MOTOR DRIVE	
	C 602	NCB21HK-102X	C CAPACITOR				L 851	QLL244K-100Z	INDUCTOR	VS DE-COUPLE	
	C 603	NCB21HK-223X	C CAPACITOR				L 853	QLL244K-100Z	INDUCTOR	L MOTOR	
	C 604	NCB21HK-223X	C CAPACITOR				L 854	QLL244K-100Z	INDUCTOR	R MOTOR	
	C 605	NCS21HJ-271X	C CAPACITOR				Q 291	2SB1357/EF-T	TRANSISTOR	/P.ON	
	C 606	NCS21HJ-181X	C CAPACITOR				Q 631	2SA1037AK/RS/-X	TRANSISTOR	APC	
	C 607	NCB21HK-222X	C CAPACITOR				R 251	NRSA02J-102X	MG RESISTOR		
	C 608	NCB21HK-223X	C CAPACITOR				R 252	NRSA02J-102X	MG RESISTOR		
	C 610	NCB21EK-104X	C CAPACITOR				R 253	NRSA02J-102X	MG RESISTOR		
	C 611	NCB21EK-104X	C CAPACITOR				R 254	NRSA02J-102X	MG RESISTOR		
	C 612	QER41HM-105	E CAPACITOR	1.0MF 20% 50V			R 255	NRSA02J-102X	MG RESISTOR		
	C 613	NCS21HJ-101X	C CAPACITOR				R 256	NRSA02J-102X	MG RESISTOR		
	C 614	NCB21HK-273X	C CAPACITOR				R 257	NRSA02J-102X	MG RESISTOR		
	C 615	NCB21HK-472X	C CAPACITOR				R 258	NRSA02J-102X	MG RESISTOR		
	C 616	NCB21HK-103X	C CAPACITOR				R 259	NRSA02J-101X	MG RESISTOR		
	C 617	NCS21HJ-331X	C CAPACITOR				R 260	NRSA02J-102X	MG RESISTOR		
	C 621	NCB21EK-104X	C CAPACITOR				R 261	NRSA02J-102X	MG RESISTOR		
	C 623	NCF21CZ-105X	C CAPACITOR				R 265	NRSA02J-223X	MG RESISTOR		
	C 624	QER41AM-107	E CAPACITOR	100MF 20% 10V			R 274	NRSA02J-102X	MG RESISTOR		
	C 631	QER41CM-106	E CAPACITOR	10MF 20% 16V			R 275	NRSA02J-102X	MG RESISTOR		
	C 632	NCF21CZ-105X	C CAPACITOR				R 276	NRSA02J-102X	MG RESISTOR		
	C 633	NCB21HK-223X	C CAPACITOR				R 277	NRSA02J-102X	MG RESISTOR		
	C 651	NCS21HJ-120X	C CAPACITOR				R 278	NRSA02J-102X	MG RESISTOR		
	C 652	NCS21HJ-150X	C CAPACITOR				R 279	NRSA02J-102X	MG RESISTOR		
	C 653	NCB21EK-104X	C CAPACITOR				R 281	NRSA02J-102X	MG RESISTOR		
	C 654	NCB21HK-223X	C CAPACITOR				R 282	NRSA02J-102X	MG RESISTOR		
	C 655	QER41AM-227	E CAPACITOR	220MF 20% 10V			R 283	NRSA02J-102X	MG RESISTOR		
	C 656	NCB21EK-104X	C CAPACITOR				R 284	NRSA02J-102X	MG RESISTOR		
	C 657	NCB21HK-222X	C CAPACITOR				R 285	NRSA02J-102X	MG RESISTOR		
	C 658	NCB21HK-222X	C CAPACITOR				R 286	NRSA02J-102X	MG RESISTOR		
	C 661	NCB21EK-104X	C CAPACITOR				R 287	NRSA02J-102X	MG RESISTOR		
	C 662	QER41AM-107	E CAPACITOR	100MF 20% 10V			R 291	NRSA02J-122X	MG RESISTOR		
	C 663	NCB21EK-104X	C CAPACITOR				R 292	NRSA02J-103X	MG RESISTOR		
	C 664	NCB21HK-223X	C CAPACITOR				R 293	NRSA02J-102X	MG RESISTOR		
	C 665	NCB21HK-223X	C CAPACITOR				R 601	NRSA02J-274X	MG RESISTOR		
	C 666	NCS21HJ-471X	C CAPACITOR				R 602	NRSA02J-154X	MG RESISTOR		
	C 667	NCF21CZ-105X	C CAPACITOR				R 603	NRSA02J-273X	MG RESISTOR		
	C 668	NCB21HK-473X	C CAPACITOR				R 604	NRSA02J-104X	MG RESISTOR		
	C 671	NCB21EK-104X	C CAPACITOR				R 605	NRSA02J-154X	MG RESISTOR		
	C 672	QER41AM-107	E CAPACITOR	100MF 20% 10V			R 606	NRSA02J-474X	MG RESISTOR		
	C 801	NCB21HK-822X	C CAPACITOR				R 607	NRSA02J-102X	MG RESISTOR		
	C 802	NCB21HK-152X	C CAPACITOR				R 611	NRSA02J-113X	MG RESISTOR		
	C 811	NCS21HJ-221X	C CAPACITOR				R 612	NRSA02J-125X	MG RESISTOR		
	C 812	NCS21HJ-221X	C CAPACITOR				R 631	NRSA02J-2R2X	MG RESISTOR		
	C 813	NCS21HJ-221X	C CAPACITOR				R 632	NRSA02J-100X	MG RESISTOR		
	C 814	NCS21HJ-221X	C CAPACITOR				R 634	NRSA02J-120X	MG RESISTOR		
	C 821	NCF21CZ-105X	C CAPACITOR				R 635	NRSA02J-121X	MG RESISTOR		
	C 822	QER41AM-227	E CAPACITOR	220MF 20% 10V			R 636	NRSA02J-910X	MG RESISTOR		
	C 851	QER41CM-106	E CAPACITOR	10MF 20% 16V			R 651	NRSA02J-271X	MG RESISTOR		
	C 852	QER41CM-106	E CAPACITOR	10MF 20% 16V			R 652	NRSA02J-220X	MG RESISTOR		
	C 855	NCB21EK-104X	C CAPACITOR				R 657	NRSA02J-102X	MG RESISTOR		
	C 859	NCF21CZ-105X	C CAPACITOR				R 658	NRSA02J-102X	MG RESISTOR		
	C 860	NCF21CZ-105X	C CAPACITOR				R 661	NRSA02J-220X	MG RESISTOR		
	CN601	QGF1016F1-15	15FFC CONNECTOR	TRAVERSE			R 662	NRSA02J-471X	MG RESISTOR		
	CN651	QGF1016F1-19	CONNECTOR	MAIN			R 663	NRSA02J-124X	MG RESISTOR		
	CN801	QGA2001C1-06	6P PLUG ASSY	TRAVERSE			R 665	NRSA02J-683X	MG RESISTOR		

■ Electrical parts list (CD servo board)

Block No. 05

△	Item	Parts number	Parts name	Remarks	Area
	R 666	NRSA02J-155X	MG RESISTOR		
	R 667	NRSA02J-562X	MG RESISTOR		
	R 671	NRSA02J-102X	MG RESISTOR		
	R 672	NRSA02J-102X	MG RESISTOR		
	R 673	NRSA02J-102X	MG RESISTOR		
	R 674	NRSA02J-101X	MG RESISTOR		
	R 675	NRSA02J-102X	MG RESISTOR		
	R 676	NRSA02J-102X	MG RESISTOR		
	R 677	NRSA02J-102X	MG RESISTOR		
	R 678	NRSA02J-102X	MG RESISTOR		
	R 679	NRSA02J-102X	MG RESISTOR		
	R 680	NRSA02J-102X	MG RESISTOR		
	R 681	NRSA02J-102X	MG RESISTOR		
	R 682	NRSA02J-102X	MG RESISTOR		
	R 683	NRSA02J-102X	MG RESISTOR		
	R 684	NRSA02J-271X	MG RESISTOR		
	R 685	NRSA02J-102X	MG RESISTOR		
	R 686	NRSA02J-101X	MG RESISTOR		
	R 687	NRSA02J-102X	MG RESISTOR		
	R 688	NRSA02J-101X	MG RESISTOR		
	R 689	NRSA02J-102X	MG RESISTOR		
	R 690	NRSA02J-101X	MG RESISTOR		
	R 691	NRSA02J-101X	MG RESISTOR		
	R 692	NRSA02J-101X	MG RESISTOR		
	R 693	NRSA02J-471X	MG RESISTOR		
	R 694	NRSA02J-102X	MG RESISTOR		
	R 801	NRSA02J-222X	MG RESISTOR		
	R 802	NRSA02J-472X	MG RESISTOR		
	R 803	NRSA02J-123X	MG RESISTOR		
	R 804	NRSA02J-154X	MG RESISTOR		
	R 805	NRSA02J-123X	MG RESISTOR		
	R 806	NRSA02J-223X	MG RESISTOR		
	R 807	NRSA02J-222X	MG RESISTOR		
	R 808	NRSA02J-223X	MG RESISTOR		
	R 811	NRSA02J-473X	MG RESISTOR		
	R 812	NRSA02J-223X	MG RESISTOR		
	R 831	NRSA02J-151X	MG RESISTOR		
	R 832	NRSA02J-103X	MG RESISTOR		
	R 842	NRSA02J-472X	MG RESISTOR		
	R 851	NRSA02J-102X	MG RESISTOR		
	R 852	NRSA02J-102X	MG RESISTOR		
	R 853	NRSA02J-102X	MG RESISTOR		
	R 854	NRSA02J-102X	MG RESISTOR		
	R 855	NRSA02J-102X	MG RESISTOR		
	R 856	NRSA02J-102X	MG RESISTOR		
	R 857	NRSA02J-272X	MG RESISTOR		
	R 859	NRSA02J-181X	MG RESISTOR		
	R 861	NRSA02J-102X	MG RESISTOR		
	R 862	NRSA02J-102X	MG RESISTOR		
	R 863	NRSA02J-102X	MG RESISTOR		
	R 864	NRSA02J-102X	MG RESISTOR		
	R 865	NRSA02J-102X	MG RESISTOR		
	R 866	NRSA02J-102X	MG RESISTOR		
	R 880	NRSA02J-102X	MG RESISTOR		
	R 881	NRSA02J-102X	MG RESISTOR		
	R 882	NRSA02J-102X	MG RESISTOR		
	R 883	NRSA02J-102X	MG RESISTOR		
	R 884	NRSA02J-102X	MG RESISTOR		
	R 885	NRSA02J-102X	MG RESISTOR		
	R 886	NRSA02J-102X	MG RESISTOR		
	R 887	NRSA02J-102X	MG RESISTOR		
	W 601	QUB220-07HPDT	SIN TWIST WIRE	D.GND	
	X 251	QAX0360-001Z	CRYSTAL	FOR IC251	
	X 651	QAX0413-001Z	CRYSTAL	FOR IC651	

■ Electrical parts list (CD select switch board)

Block No. 06

△	Item	Parts number	Parts name	Remarks	Area
	CN804	QGB2016J1-07	CONNECTOR		
	SW 1	QSW0859-001	DETECT SWITCH		
	SW 2	QSW0859-001	DETECT SWITCH		
	SW 3	QSW0859-001	DETECT SWITCH		
	SW 4	QSW0859-001	DETECT SWITCH		
	SW 5	QSW0859-001	DETECT SWITCH		
	SW 6	QSW0859-001	DETECT SWITCH		

■ Electrical parts list
(Head amplifier & Mechanism control board)

Block No. 07

△	Item	Parts number	Parts name	Remarks	Area	△	Item	Parts number	Parts name	Remarks	Area
	C 101	NCS21HJ-561X	C CAPACITOR				C 339	QEK41CM-476	E CAPACITOR	47MF 20% 16V	
	C 102	NCS21HJ-331X	C CAPACITOR				C 340	NCB21HK-103X	C CAPACITOR		
	C 103	NCS21HJ-561X	C CAPACITOR				C 341	QEKJ1AM-107Z	E CAPACITOR	100MF 20% 10V	
	C 104	NCS21HJ-221X	C CAPACITOR				C 342	QEK41EM-475	E CAPACITOR	4.7MF 20% 25V	
	C 105	QEK40JM-227	E CAPACITOR	220MF 20% 6.3V			C 343	QET41CM-106	E CAPACITOR	10MF 20% 16V	
	C 106	NCB21HK-333X	C CAPACITOR				C 344	NCB21HK-472X	C CAPACITOR		
	C 107	QEK41EM-475	E CAPACITOR	4.7MF 20% 25V			C 345	NCS21HJ-331X	C CAPACITOR		
	C 108	NCB21HK-393X	C CAPACITOR				C 350	QFLM1HJ-102Z	M CAPACITOR	1000PF 5% 50V	
	C 110	NCS21HJ-221X	C CAPACITOR				CN301	QGF1205F1-06	CONNECTOR		
	C 111	QEK41HM-104	E CAPACITOR	.10MF 20% 50V			CN302	QGF1205F1-06	CONNECTOR		
	C 112	QEK41CM-106	E CAPACITOR	10MF 20% 16V			CN303	QGB2011M1-10	B TO B CONNECTO		
	C 113	NCB21HK-332X	C CAPACITOR				CN304	QGB2011M1-10	B TO B CONNECTO		
	C 114	QEK41EM-475	E CAPACITOR	4.7MF 20% 25V			CN305	QGF1205F1-10	CONNECTOR		
	C 115	NCB21HK-153X	C CAPACITOR				CN306	QGF1205F1-11	CONNECTOR		
	C 116	NCB21HK-822X	C CAPACITOR				D 307	HZM5.1NB2-X	CHIP Z DIODE CM		
	C 117	NCB21HK-223X	C CAPACITOR				D 308	HZM5.1NB2-X	CHIP Z DIODE CM		
	C 119	NCB21HK-563X	C CAPACITOR				D 309	MA704A-X	S.K.DIODE		
	C 120	NCS21HJ-330X	C CAPACITOR				IC301	BA3126N	IC		
	C 201	NCS21HJ-561X	C CAPACITOR				IC302	AN7345K	IC		
	C 202	NCS21HJ-331X	C CAPACITOR				IC303	BU4094BCF-X	IC		
	C 203	NCS21HJ-561X	C CAPACITOR				IC304	BU4094BCF-X	IC		
	C 204	NCS21HJ-221X	C CAPACITOR				L 202	QQR0779-001Z	INDUCTOR	EMC	
	C 205	QEK40JM-227	E CAPACITOR	220MF 20% 6.3V			L 301	QQR0620-001	OSC COIL(BIAS)		
	C 206	NCB21HK-333X	C CAPACITOR				L 303	QQL01BK-100Z	INDUCTOR		
	C 207	QEK41EM-475	E CAPACITOR	4.7MF 20% 25V			Q 102	DTC144TKA-X	TRANSISTOR		
	C 208	NCB21HK-393X	C CAPACITOR				Q 103	DTC144EKA-X	TRANSISTOR		
	C 210	NCS21HJ-221X	C CAPACITOR				Q 105	2SC3576-JVC-T	TRANSISTOR		
	C 211	QEK41HM-104	E CAPACITOR	.10MF 20% 50V			Q 202	DTC144TKA-X	TRANSISTOR		
	C 212	QEK41CM-106	E CAPACITOR	10MF 20% 16V			Q 203	DTC144EKA-X	TRANSISTOR		
	C 213	NCB21HK-332X	C CAPACITOR				Q 205	2SC3576-JVC-T	TRANSISTOR		
	C 214	QEK41EM-475	E CAPACITOR	4.7MF 20% 25V			Q 302	2SC2001/K/-T	TRANSISTOR		
	C 215	NCB21HK-153X	C CAPACITOR				Q 303	2SC2001/K/-T	TRANSISTOR		
	C 216	NCB21HK-822X	C CAPACITOR				Q 304	2SC3576-JVC-T	TRANSISTOR		
	C 217	NCB21HK-223X	C CAPACITOR				Q 305	2SC3576-JVC-T	TRANSISTOR		
	C 219	NCB21HK-563X	C CAPACITOR				Q 306	2SC2412K/RS/-X	CHIP TRANSISTOR		
	C 220	NCS21HJ-330X	C CAPACITOR				Q 307	2SC2412K/RS/-X	CHIP TRANSISTOR		
	C 301	QEK41CM-106	E CAPACITOR	10MF 20% 16V			Q 308	2SC2412K/RS/-X	CHIP TRANSISTOR		
	C 302	QEK41CM-476	E CAPACITOR	47MF 20% 16V			Q 309	2SC2412K/RS/-X	CHIP TRANSISTOR		
	C 303	QEK41CM-226	E CAPACITOR	22MF 20% 16V			Q 312	2SB562/C/-T	TRANSISTOR		
	C 304	QEK41EM-475	E CAPACITOR	4.7MF 20% 25V			Q 313	2SC2412K/RS/-X	CHIP TRANSISTOR		
	C 305	NCB21HK-393X	C CAPACITOR				Q 314	2SB562/C/-T	TRANSISTOR		
	C 306	QEK40JM-227	E CAPACITOR	220MF 20% 6.3V			Q 315	2SC2412K/RS/-X	CHIP TRANSISTOR		
	C 308	NCB21HK-562X	C CAPACITOR				Q 316	2SA952/LK/-T	TRANSISTOR		
	C 309	NCB21HK-562X	C CAPACITOR				Q 317	DTC124EKA-X	TRANSISTOR		
	C 310	NCB21HK-223X	C CAPACITOR				Q 321	DTC144EKA-X	TRANSISTOR		
	C 311	NCB21HK-682X	C.CAPACITOR				Q 322	DTC144EKA-X	TRANSISTOR		
	C 313	QEKJ1AM-107Z	E CAPACITOR	100MF 20% 10V			Q 323	2SC2412K/RS/-X	CHIP TRANSISTOR		
	C 314	QCZ0205-155Z	ML C CAPACITOR	1.5MF			R 102	NRSA02J-102X	MG RESISTOR		
	C 315	QCZ0205-155Z	ML C CAPACITOR	1.5MF			R 103	NRSA02J-183X	MG RESISTOR		
	C 316	QFG32AJ-103Z	PP CAPACITOR	.010MF 5% 100V			R 105	NRSA02J-220X	MG RESISTOR		
	C 318	NCB21HK-103X	C CAPACITOR				R 106	NRSA02J-392X	MG RESISTOR		
	C 319	QFG32AJ-821Z	TF CAPACITOR	820PF 5% 100V			R 107	NRSA02J-123X	MG RESISTOR		
	C 321	NCB21HK-103X	C CAPACITOR				R 108	NRSA02J-222X	MG RESISTOR		
	C 322	QFG32AJ-152Z	M CAPACITOR	1500PF 5% 100V			R 109	NRSA02J-152X	MG RESISTOR		
	C 327	QEK41CM-476	E CAPACITOR	47MF 20% 16V			R 111	NRSA02J-562X	MG RESISTOR		
	C 328	NCS21HJ-151X	C CAPACITOR				R 112	NRSA02J-122X	MG RESISTOR		
	C 329	NCS21HJ-151X	C CAPACITOR				R 113	NRSA02J-271X	MG RESISTOR		
	C 330	NCS21HJ-151X	C CAPACITOR				R 114	NRSA02J-391X	MG RESISTOR		
	C 332	NCS21HJ-151X	C CAPACITOR				R 115	NRSA02J-332X	MG RESISTOR		
	C 335	NCB21HK-103X	C CAPACITOR				R 117	NRSA02J-332X	MG RESISTOR		
	C 336	NCB21HK-103X	C CAPACITOR				R 118	NRSA02J-152X	MG RESISTOR		
	C 337	NCB21HK-103X	C CAPACITOR				R 119	NRSA02J-203X	MG RESISTOR		
	C 338	NCB21HK-103X	C CAPACITOR				R 120	NRSA02J-102X	MG RESISTOR		

■ Electrical parts list
(Head amplifier & Mechanism control board)

Block No. 07

△	Item	Parts number	Parts name	Remarks	Area
	R 121	NRSA02J-122X	MG RESISTOR		
	R 202	NRSA02J-102X	MG RESISTOR		
	R 203	NRSA02J-183X	MG RESISTOR		
	R 205	NRSA02J-220X	MG RESISTOR		
	R 206	NRSA02J-392X	MG RESISTOR		
	R 207	NRSA02J-123X	MG RESISTOR		
	R 208	NRSA02J-222X	MG RESISTOR		
	R 209	NRSA02J-152X	MG RESISTOR		
	R 211	NRSA02J-562X	MG RESISTOR		
	R 212	NRSA02J-122X	MG RESISTOR		
	R 213	NRSA02J-271X	MG RESISTOR		
	R 214	NRSA02J-391X	MG RESISTOR		
	R 215	NRSA02J-332X	MG RESISTOR		
	R 217	NRSA02J-332X	MG RESISTOR		
	R 218	NRSA02J-152X	MG RESISTOR		
	R 219	NRSA02J-203X	MG RESISTOR		
	R 220	NRSA02J-102X	MG RESISTOR		
	R 221	NRSA02J-122X	MG RESISTOR		
	R 301	NRS181J-221X	MG RESISTOR		
	R 302	NRS181J-101X	MG RESISTOR		
	R 304	NRSA02J-393X	MG RESISTOR		
	R 305	NRSA02J-103X	MG RESISTOR		
	R 306	NRSA02J-103X	MG RESISTOR		
	R 307	NRSA02J-103X	MG RESISTOR		
	R 308	NRSA02J-152X	MG RESISTOR		
	R 309	NRSA02J-152X	MG RESISTOR		
	R 310	NRS181J-820X	MG RESISTOR		
	R 311	NRS181J-820X	MG RESISTOR		
	R 313	NRSA02J-3R3X	MG RESISTOR		
	R 314	NRSA02J-223X	MG RESISTOR		
	R 315	NRSA02J-100X	MG RESISTOR		
	R 316	NRSA02J-223X	MG RESISTOR		
	R 317	NRSA02J-100X	MG RESISTOR		
	R 318	NRSA02J-123X	MG RESISTOR		
	R 319	NRSA02J-152X	MG RESISTOR		
	R 321	NRSA02J-123X	MG RESISTOR		
	R 322	NRSA02J-152X	MG RESISTOR		
	R 327	NRSA02J-474X	MG RESISTOR		
	R 328	NRSA02J-222X	MG RESISTOR		
	R 329	NRSA02J-222X	MG RESISTOR		
	R 330	NRSA02J-0R0X	MG RESISTOR		
	R 335	NRSA02J-222X	MG RESISTOR		
	R 336	NRSA02J-392X	MG RESISTOR		
	R 338	NRSA02J-222X	MG RESISTOR		
	R 339	NRSA02J-222X	MG RESISTOR		
	R 341	NRSA02J-222X	MG RESISTOR		
	R 343	NRSA02J-0R0X	MG RESISTOR		
	R 345	NRSA02J-222X	MG RESISTOR		
	R 346	NRSA02J-0R0X	MG RESISTOR		
	R 347	NRSA02J-392X	MG RESISTOR		
	R 348	NRSA02J-222X	MG RESISTOR		
	R 350	NRSA02J-472X	MG RESISTOR		
	R 351	NRSA02J-151X	MG RESISTOR		
	R 353	NRSA02J-472X	MG RESISTOR		
	R 354	NRSA02J-151X	MG RESISTOR		
	R 355	NRSA02J-332X	MG RESISTOR		
	R 357	NRSA02J-103X	MG RESISTOR		
	R 358	NRSA02J-222X	MG RESISTOR		
	R 359	NRSA02J-123X	MG RESISTOR		
	R 360	NRSA02J-433X	MG RESISTOR		
	R 361	NRSA02J-183X	MG RESISTOR		
	R 362	NRSA02J-123X	MG RESISTOR		
	R 363	NRSA02J-183X	MG RESISTOR		

△	Item	Parts number	Parts name	Remarks	Area
	R 364	NRSA02J-433X	MG RESISTOR		
	R 365	NRSA02J-203X	MG RESISTOR		
	R 366	NRSA02J-123X	MG RESISTOR		
	R 367	NRSA02J-102X	MG RESISTOR		
	R 368	NRSA02J-391X	MG RESISTOR		
	R 369	NRSA02J-391X	MG RESISTOR		
	R 371	NRS181J-222X	MG RESISTOR		
	R 374	NRSA02J-912X	MG RESISTOR		
	R 375	NRSA02J-683X	MG RESISTOR		
	R 376	NRS181J-6R8X	MG RESISTOR		
	VR101	QVP0008-503Z	SEMI V RESISTOR		
	VR201	QVP0008-503Z	SEMI V RESISTOR		
	VR301	QVP0008-103Z	SEMI V RESISTOR		
	WIRE	EWR34D-10CS	FLAT WIRE		

■ Electrical parts list (Cassette switch board) Block No. 08

△	Item	Parts number	Parts name	Remarks	Area
	CN 1	QGB2011L1-10	B TO B CONNECTO		
	D 1	1SR139-400-T2	SI DIODE		
	IC 1	SG-105F3-BB,C	PHOTO SENSER		
	P 1	QNZ0104-001	POST PIN		
	SW 2	QSW0832-001	LEAF SWITCH	TAPE	
	SW 4	QSW0832-001	LEAF SWITCH	70U	
	SW 6	QSW0507-001	SWITCH		

■ Electrical parts list (Cassette switch board) Block No. 09

△	Item	Parts number	Parts name	Remarks	Area
	CN 1	QGB2011L1-10	B TO B CONNECTO		
	D 1	1SR139-400-T2	SI DIODE		
	IC 1	SG-105F3-BB,C	PHOTO SENSER		
	P 1	QNZ0104-001	POST PIN		
	SW 1	QSW0832-001	LEAF SWITCH	R.REC	
	SW 2	QSW0832-001	LEAF SWITCH	TAPE	
	SW 4	QSW0832-001	LEAF SWITCH	70U	
	SW 5	QSW0832-001	LEAF SWITCH	F.REC	
	SW 6	QSW0507-001	SWITCH		

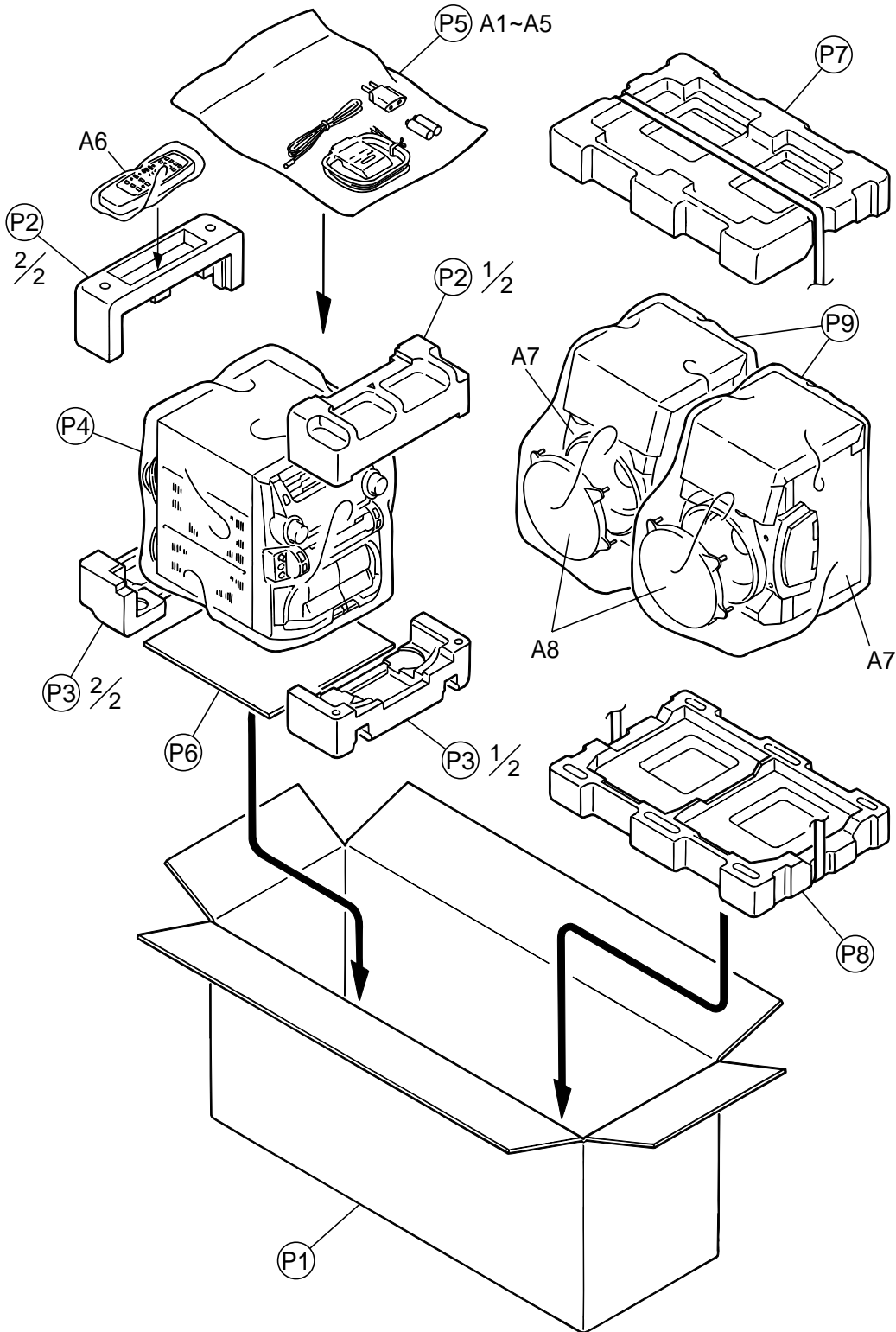
Packing materials and accessories parts list

Block No.

M	5	M	M
---	---	---	---

Block No.

M	6	M	M
---	---	---	---



Parts list (Packing)

Block No. M5MM

△	Item	Parts number	Parts name	Q'ty	Description	Area
	P 1	GV10031-003A	PACKING CASE	1		
	P 2	GV10034-001A	CUSHION UPPER	1		
	P 3	GV10035-001A	CUSHION BOTTOM	1		
	P 4	QPC06507015P	POLY BAG	1		
	P 5	QPC02503515P	POLY BAG	1		
	P 6	GV40100-001A	CORRUGATED	1	SPACER	
	P 7	139765161042	UPPER CUSHION	1	FOR SPEAKER	
	P 8	139765161043	BOTTOM CUSHION	1	FOR SPEAKER	
	P 9	138736001066	POLY BAG	2	FOR SPEAKER	

Parts list (Accessories)

Block No. M6MM

△	Item	Parts number	Parts name	Q'ty	Description	Area
	A 1	GVT0029-003A	INST.BOOK	1	ENG,SPA,POR,CHI,ARA	UT
		GVT0029-011A	INST.BOOK	1	ENG,SPA,POR	UY
	A 2	QAL0014-001	AM LOOP ANT	1		
	A 3	EWP503-001	ANT.WIRE	1		
	A 4	VMZ0139-001	CONTHI PLUG	1		UT
	A 5	-----	BATTERY	1		
	A 6	RM-SMXJ500U	REMOCON	1		
	A 7	MXJ550J-SPBOX-L	SPEAKER BOX(L)	1		
		MXJ550J-SPBOX-R	SPEAKER BOX(R)	1		
	A 8	199732080101	SPEAKER NET(R)	1		
		199732080098	SPEAKER NET(L)	1		

JVC

VICTOR COMPANY OF JAPAN, LIMITED

AUDIO & COMMUNICATION BUSINESS DIVISION

PERSONAL & MOBILE NETWORK BUSINESS UNIT 10-1,1Chome,Ohwatari-machi,Maebashi-city,371-8543,Japan